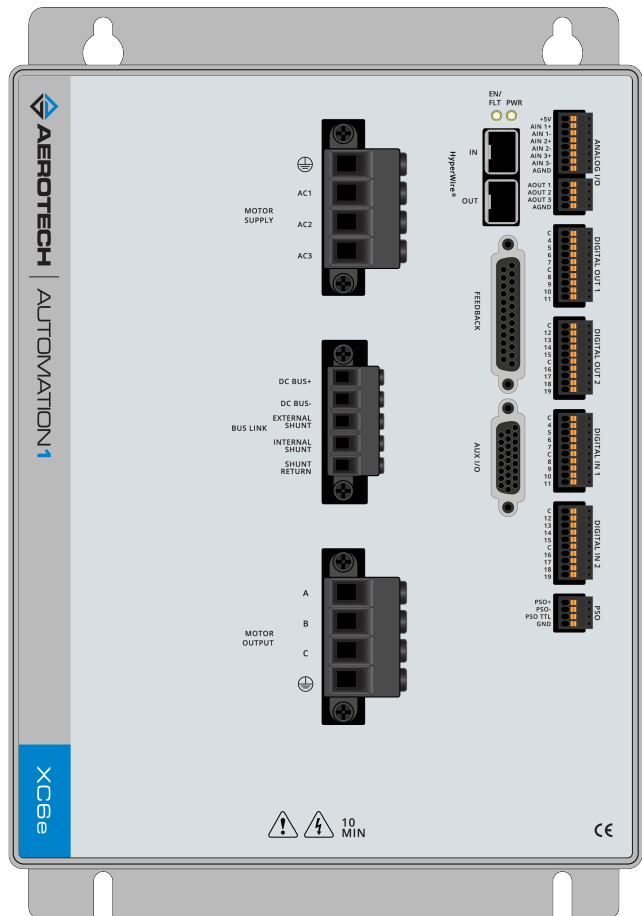
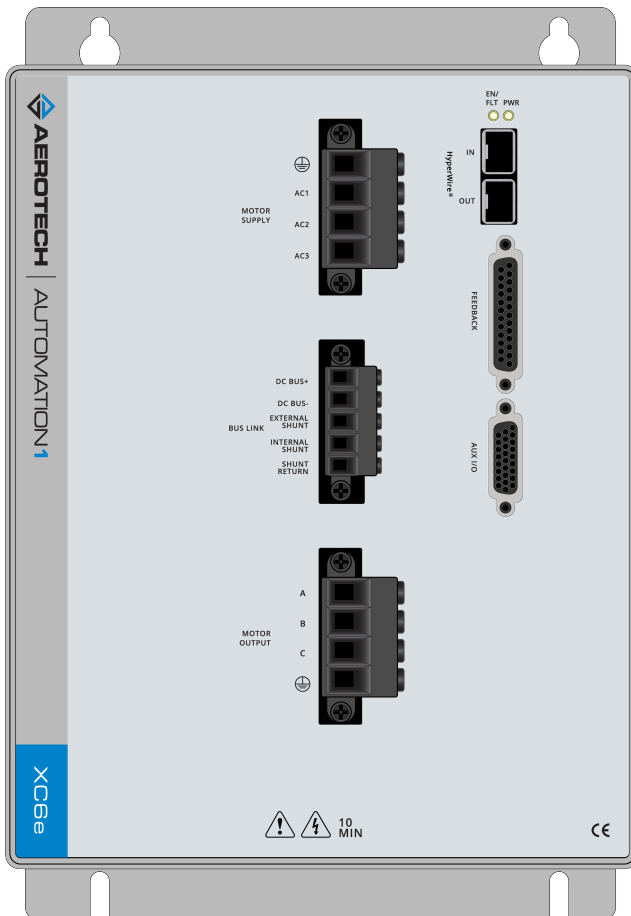


Automation1 XC6e High-Powered PWM Digital Drive

HARDWARE MANUAL

Revision 1.01



GLOBAL TECHNICAL SUPPORT

Go to the [Global Technical Support Portal](#) for information and support about your Aerotech, Inc. products. The website supplies software, product manuals, Help files, training schedules, and PC-to-PC remote technical support. If necessary, you can complete Product Return (RMA) forms and get information about repairs and spare or replacement parts. To get help immediately, contact a service office or your sales representative. Include your customer order number in your email or have it available before you call.

This manual contains proprietary information and may not be reproduced, disclosed, or used in whole or in part without the express written permission of Aerotech, Inc. Product names mentioned herein are used for identification purposes only and may be trademarks of their respective companies.

Copyright © 2021, Aerotech, Inc., All rights reserved.



Table of Contents

Automation1 XC6e High-Powered PWM Digital Drive	1
Table of Contents	3
List of Figures	5
List of Tables	7
EU Declaration of Conformity	9
Safety Procedures and Warnings	11
Installation Overview	13
Chapter 1: Introduction	15
1.1. Electrical Specifications	18
1.1.1. System Power Requirements	20
1.2. Mechanical Specifications	21
1.2.1. Mounting and Cooling	21
1.2.2. Dimensions	22
1.3. Environmental Specifications	24
1.4. Drive and Software Compatibility	25
Chapter 2: Installation and Configuration	27
2.1. Input Power Connections	28
2.1.1. Control Supply Connector	28
2.1.2. Motor Supply Connector	29
2.1.3. Minimizing Noise for EMC/CE Compliance	30
2.2. Motor Power Output Connector	31
2.2.1. Brushless Motor Connections	32
2.2.1.1. Brushless Motor Powered Motor and Feedback Phasing	33
2.2.1.2. Brushless Motor Unpowered Motor and Feedback Phasing	34
2.3. Feedback Connector	35
2.3.1. Primary Encoder Inputs	36
2.3.1.1. Square Wave Encoder	37
2.3.1.2. Absolute Encoder	38
2.3.1.3. Sine Wave Encoder [-MX2/-MX3 Option]	39
2.3.1.4. Encoder Phasing	41
2.3.2. Hall-Effect Inputs	42
2.3.3. Thermistor Input	43
2.3.4. Encoder Fault Input	44
2.3.5. End of Travel and Home Limit Inputs	45
2.3.5.1. End of Travel and Home Limit Phasing	47
2.3.6. Brake Outputs	48
2.4. Safe Torque Off Input (STO)	49
2.4.1. STO Standards	51
2.4.2. STO Functional Description	52
2.4.3. STO Startup Validation Testing	53
2.4.4. STO Diagnostics	54
2.5. Auxiliary I/O Connector	55
2.5.1. Auxiliary Encoder Inputs	56
2.5.1.1. Square Wave Encoder	57
2.5.1.2. Absolute Encoder	58
2.5.1.3. Sine Wave Encoder [-MX3 Option]	59
2.5.2. Position Synchronized Output (PSO)	61
2.5.3. Digital Outputs	63
2.5.4. Digital Inputs	66
2.5.5. High-Speed Inputs	67
2.5.6. Analog Output 0	68
2.5.7. Analog Input 0 (Differential)	69
2.6. Brake Power Supply Connector	70
2.7. HyperWire Interface	71
2.8. Shunt Options	72
2.9. Sync Port	75
2.10. System Interconnection	76

2.11. PC Configuration and Operation Information	77
Chapter 3: -EB1 I/O Option Board	79
3.1. Digital Outputs [-EB1]	80
3.2. Digital Inputs [-EB1]	84
3.3. Analog Outputs [-EB1]	87
3.4. Analog Inputs [-EB1]	88
3.5. Position Synchronized Output Interface [-EB1]	89
Chapter 4: Cables and Accessories	91
4.1. Joystick Interface	92
4.2. Handwheel Interface	94
Chapter 5: Maintenance	95
5.1. Preventative Maintenance	96
5.2. Fuse Specifications	97
Appendix A: Warranty and Field Service	99
Appendix B: Revision History	101
Index	103

List of Figures

Figure 1-1:	XC6e High Power Networked Digital Drive	15
Figure 1-2:	Functional Diagram	17
Figure 1-3:	Dimensions	22
Figure 1-4:	Dimensions [-EB1]	23
Figure 2-1:	Control Supply Connections	28
Figure 2-2:	Motor Supply Connections	29
Figure 2-3:	Brushless Motor Configuration	32
Figure 2-4:	Positive Motor Direction	33
Figure 2-5:	Encoder and Hall Signal Diagnostics	33
Figure 2-6:	Brushless Motor Phasing Oscilloscope Example	34
Figure 2-7:	Brushless Motor Phasing Goal	34
Figure 2-8:	Square Wave Encoder Schematic (Feedback Connector)	37
Figure 2-9:	Absolute Encoder Schematic (Feedback Connector)	38
Figure 2-10:	Sine Wave Encoder Phasing Reference Diagram	39
Figure 2-11:	Sine Wave Encoder Schematic (Feedback Connector)	40
Figure 2-12:	Encoder Phasing Reference Diagram (Standard)	41
Figure 2-13:	Position Feedback in the Diagnostic Display	41
Figure 2-14:	Hall-Effect Inputs Schematic (Feedback Connector)	42
Figure 2-15:	Thermistor Input Schematic (Feedback Connector)	43
Figure 2-16:	Encoder Fault Input Schematic (Feedback Connector)	44
Figure 2-17:	End of Travel and Home Limit Input Connections	46
Figure 2-18:	End of Travel and Home Limit Input Schematic (Feedback Connector)	46
Figure 2-19:	End of Travel and Home Limit Input Diagnostic Display	47
Figure 2-20:	Brake Connected to the 25-Pin Feedback Connector (Typical)	48
Figure 2-21:	Typical Configuration	50
Figure 2-22:	STO Timing	54
Figure 2-23:	Square Wave Encoder Interface (Aux I/O Connector)	57
Figure 2-24:	Absolute Encoder Schematic (Auxiliary I/O Connector)	58
Figure 2-25:	Sine Wave Encoder Phasing Reference Diagram	59
Figure 2-26:	Sine Wave Encoder Schematic (Auxiliary I/O Connector)	60
Figure 2-27:	PSO Interface	62
Figure 2-28:	Digital Output Schematic (Aux I/O Connector)	64
Figure 2-29:	Digital Outputs Connected in Current Sourcing Mode	65
Figure 2-30:	Digital Outputs Connected in Current Sinking Mode	65
Figure 2-31:	Digital Inputs Connected to Current Sourcing Devices	66
Figure 2-32:	Digital Inputs Connected to Current Sinking Devices	66
Figure 2-33:	High-Speed Inputs	67
Figure 2-34:	Analog Output 0 Schematic	68
Figure 2-35:	Analog Input 0 Schematic	69
Figure 2-36:	System Wiring Drawing (Best Practice)	76
Figure 3-1:	XC6e with -EB1 I/O Option Board Connectors	79
Figure 3-2:	Digital Outputs Schematic [-EB1]	82
Figure 3-3:	Digital Outputs Connected in Current Sourcing Mode [-EB1]	83
Figure 3-4:	Digital Outputs Connected in Current Sinking Mode [-EB1]	83
Figure 3-5:	Digital Inputs Schematic [-EB1]	85
Figure 3-6:	Digital Inputs Connected to Current Sourcing (PNP) Devices [-EB1]	86
Figure 3-7:	Digital Inputs Connected to Current Sinking (NPN) Devices [-EB1]	86
Figure 3-8:	Analog Output Typical Connection [-EB1]	87

Figure 3-9: Analog Input Typical Connection [-EB1]	88
Figure 3-10: PSO Output Sources Current	90
Figure 3-11: PSO Output Sinks Current	90
Figure 3-12: PSO TTL Outputs Schematic	90
Figure 4-1: Two Axis Joystick Interface (to the Aux I/O of two drives)	92
Figure 4-2: Two Axis Joystick Interface (to the I/O board)	93
Figure 4-3: Handwheel Interconnection to Aux I/O Connector	94
Figure 4-4: Handwheel Interconnection to the Aux I/O through a BBA32 Module	94

List of Tables

Table 1-1: Feature Summary	16
Table 1-2: Electrical Specifications	18
Table 1-3: Electrical Specifications (continued)	19
Table 1-4: Mounting Specifications	21
Table 1-5: Environmental Specifications	24
Table 1-6: Drive and Software Compatibility	25
Table 2-1: Control Supply Wiring Specifications	28
Table 2-2: Mating Connector Part Numbers for the Control Supply Connector	28
Table 2-3: Motor Supply Connector Wiring Specifications	29
Table 2-4: Mating Connector Part Numbers for the Motor Supply Connector	29
Table 2-5: Motor Supply Connector Fuse Specifications	29
Table 2-6: Motor Power Output Connector Pinout	31
Table 2-7: Mating Connector Part Numbers for the Motor Power Output Connector	31
Table 2-8: Wire Colors for Aerotech-Supplied Brushless Motor Cables	32
Table 2-9: Hall Signal Diagnostics	33
Table 2-10: Feedback Connector Pinout	35
Table 2-11: Mating Connector Part Numbers for the Feedback Connector	35
Table 2-12: Multiplier Options	36
Table 2-13: Primary Encoder Input Pins on the Feedback Connector	36
Table 2-14: Square Wave Encoder Specifications	37
Table 2-15: Sine Wave Encoder Specifications	39
Table 2-16: Hall-Effect Feedback Pins on the Feedback Connector	42
Table 2-17: Thermistor Input Pin on the Feedback Connector	43
Table 2-18: Encoder Fault Input Pin on the Feedback Connector	44
Table 2-19: End of Travel and Home Limit Pins on the Feedback Connector	45
Table 2-20: Brake Output Pins on the Feedback Connector	48
Table 2-21: Brake Control Specifications	48
Table 2-22: STO Connector Pinout	49
Table 2-23: Mating Connector Part Numbers for the STO Connector	49
Table 2-24: STO Electrical Specifications	50
Table 2-25: STO Standards	51
Table 2-26: STO Standards Data	51
Table 2-27: STO Signal Delay	53
Table 2-28: Motor Function Relative to STO Input State	53
Table 2-29: STO Timing	54
Table 2-30: Auxiliary I/O Connector Pinout	55
Table 2-31: Mating Connector Part Numbers for the Auxiliary I/O Connector	55
Table 2-32: Auxiliary Encoder Pins on the Auxiliary I/O Connector	56
Table 2-33: Square Wave Encoder Specifications	57
Table 2-34: Sine Wave Encoder Specifications	59
Table 2-35: PSO Specifications	61
Table 2-36: PSO Pins on the Auxiliary I/O Connector	61
Table 2-37: Digital Output Specifications	63
Table 2-38: Digital Output Pins on the Auxiliary I/O Connector	63
Table 2-39: Digital Input Specifications	66
Table 2-40: Digital Input Pins on the Auxiliary I/O Connector	66
Table 2-41: High-Speed Input Specifications	67
Table 2-42: High-Speed Input Pins on the Auxiliary I/O Connector	67

Table 2-43:	Analog Output Specifications	68
Table 2-44:	Analog Output Pins on the Auxiliary I/O Connector	68
Table 2-45:	Analog Input Specifications	69
Table 2-46:	Analog Input Pins on the Auxiliary I/O Connector	69
Table 2-47:	Brake Power Supply Connector Pinout	70
Table 2-48:	Mating Connector Part Numbers for the Brake Power Supply Connector	70
Table 2-49:	HyperWire Card Part Number	71
Table 2-50:	HyperWire Cable Part Numbers	71
Table 2-51:	Bus Link Connector Pinout	72
Table 2-52:	Mating Connector Part Numbers for the Bus Link Connector	72
Table 2-53:	Internal Shunt Specifications	72
Table 2-54:	Maximum Recommended Shunt Current	73
Table 2-55:	Maximum Additional Storage Energy for a Standard XC6e	73
Table 2-56:	Sync-Related Functions	75
Table 2-57:	Sync Port Cables	75
Table 3-1:	Digital Output Specifications [-EB1]	80
Table 3-2:	Digital Output 1 Connector Pinout [-EB1]	81
Table 3-3:	Mating Connector Part Numbers for the Digital Output 1 Connector [-EB1]	81
Table 3-4:	Digital Output 2 Connector Pinout [-EB1]	81
Table 3-5:	Mating Connector Part Numbers for the Digital Output 2 Connector [-EB1]	81
Table 3-6:	Digital Input Specifications [-EB1]	84
Table 3-7:	Digital Input 1 Connector Pinout [-EB1]	84
Table 3-8:	Mating Connector Part Numbers for the Digital Input 1 Connector [-EB1]	84
Table 3-9:	Digital Input 2 Connector Pinout [-EB1]	85
Table 3-10:	Mating Connector Part Numbers for the Digital Input 2 Connector [-EB1]	85
Table 3-11:	Analog Output Specifications [-EB1]	87
Table 3-12:	Analog Output Connector Pinout [-EB1]	87
Table 3-13:	Mating Connector Part Numbers for the Analog Output Connector [-EB1]	87
Table 3-14:	Differential Analog Input Specifications [-EB1]	88
Table 3-15:	Analog Input Connector Pinout [-EB1]	88
Table 3-16:	Mating Connector Part Numbers for the Analog Input Connector [-EB1]	88
Table 3-17:	PSO Specifications [-EB1]	89
Table 3-18:	PSO Interface Connector Pinout [-EB1]	89
Table 3-19:	Mating Connector Part Numbers for the PSO Interface Connector [-EB1]	89
Table 4-1:	Standard Interconnection Cables	91
Table 5-1:	LED Description	95
Table 5-2:	Troubleshooting	95
Table 5-3:	Preventative Maintenance	96
Table 5-4:	Control Board Fuse Specifications	97

EU Declaration of Conformity

Manufacturer Aerotech, Inc.
Address 101 Zeta Drive
 Pittsburgh, PA 15238-2811
 USA
Product XC6e
Model/Types All

This is to certify that the aforementioned product is in accordance with the applicable requirements of the following directive(s):

2014/30/EU	Electromagnetic Compatibility (EMC)
2014/35/EU	Low Voltage Directive
2006/42/EC	Machinery Directive
2011/65/EU	RoHS 2 Directive
EU 2015/863	Amendment RoHS 3 Directive

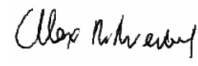
and has been designed to be in conformity with the applicable requirements of the following standard(s) when installed and used in accordance with the manufacturer's supplied installation instructions.

EN 61010-1:2010/A1:2016	Safety Requirements for Electrical Equipment
EN 61800-3:2017	EMC Requirements for Power Drives
IEC 61800-5-1:2016	Electrical Safety for Power Drive Systems
IEC 61800-5-2:2016	Functional Safety for Power Drive Systems
EN 55011/55032:2015	Conducted and Radiated Emissions

**Authorized
Representative**

 / Simon Smith, European Director
 Aerotech Ltd
 The Old Brick Kiln, Ramsdell, Tadley
 Hampshire RG26 5PR
 UK

**Engineer Verifying
Compliance**

 / Alex Weibel
 Aerotech, Inc.
 101 Zeta Drive
 Pittsburgh, PA 15238-2811
 USA
 6/30/2021

Date



This page intentionally left blank.

Safety Procedures and Warnings



IMPORTANT: This manual tells you how to carefully and correctly use and operate the drive.

- Read all parts of this manual before you install or operate the drive or before you do maintenance to your system.
- To prevent injury to you and damage to the equipment, obey the precautions in this manual.
- All specifications and illustrations are for reference only and were complete and accurate as of the release of this manual. To find the newest information about this product, refer to www.aerotech.com.

If you do not understand the information in this manual, contact Aerotech Global Technical Support.



IMPORTANT: This product has been designed for light industrial manufacturing or laboratory environments. If the product is used in a manner not specified by the manufacturer:

- The protection provided by the equipment could be impaired.
- The life expectancy of the product could be decreased.



DANGER: To decrease the risk of electrical shock, injury, death, and damage to the equipment, obey the precautions that follow.

1. Before you do maintenance to the equipment, disconnect the electrical power.
2. Restrict access to the drive when it is connected to a power source.
3. Do not connect or disconnect electrical components, wires, and cables while this product is connected to a power source.
4. Wait at least ten (10) minutes after removing the power supply before doing maintenance or an inspection. Otherwise, there is the danger of electric shock.
5. There are lethal voltages on the shunt resistor terminals.
6. Supply each operator with the necessary protection from live electrical circuits.
7. Make sure that all components are grounded correctly and that they obey the local electrical safety requirements.
8. Install the necessary precautions to supply safety and protection to the operator.



DANGER: System travel can cause crush, shear, or pinch injuries. Restrict access to all motor and stage parts while your system is connected to a power source.



DANGER: Hot surfaces. The case temperature could exceed 70°C.



DANGER: The shunt resistor dissipates a high quantity of power. To prevent the danger of electric shock or fire, you must obey the precautions that follow:

- Correctly size, mount, and protect the external shunt resistor.
- Protect the wiring to the internal shunt resistor terminals.
- Do not touch the shunt resistor terminals. There are lethal voltages on the terminals.
- Do not touch the surface of the drive or the external shunt resistor. The temperature can exceed 70°C.
- Restrict access to the shunt resistor while it is connected to a power source.

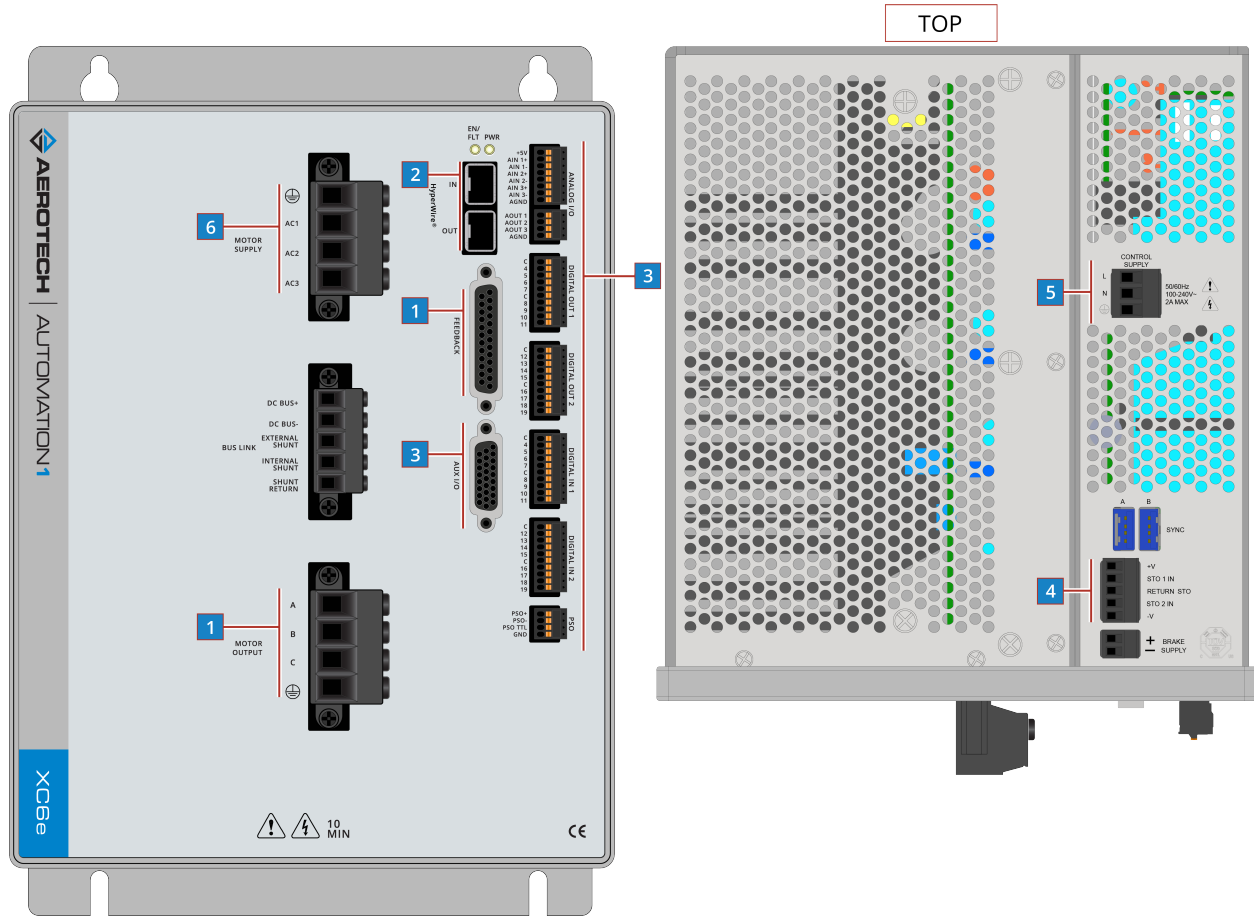


WARNING: To prevent damage to the equipment and decrease the risk of electrical shock and injury, obey the precautions that follow.

1. Make sure that all system cables are correctly attached and positioned.
2. Do not use the cables or the connectors to lift or move this product.
3. Use this product only in environments and operating conditions that are approved in this manual.
4. Only trained operators should operate this equipment.

Installation Overview

This image shows the order in which to make connections and settings that are typical to the XC6e. If a custom interconnect drawing was supplied with your system, that drawing is on your Storage Device and shows as a line item on your Sales Order in the Integration section.



1	Connect the motor to the amplifier Motor Output connector.	Section 2.2.
	Connect the motor to the amplifier Feedback connector.	Section 2.3.
2	Connect a PC or drive-based controller HyperWire port to the HyperWire In port.	Section 2.7.
3	Connect additional I/O as required by your application (if you purchased the I/O option).	Section 2.5./ Chapter 3
4	Connect the Safe Torque Off (STO).	Section 2.4.
5	Connect the power supply to the Control Supply connector.	Section 2.1.1.
6	Connect the motor power to the Motor Supply connector.	Section 2.1.2.

Figure 1: Installation Connection Overview

This page intentionally left blank.

Chapter 1: Introduction

The XC6e is a high performance digital drive based on the HyperWire communication protocol. The drive provides deterministic behavior, auto-identification, is fully software configurable. A double precision floating point DSP controls the digital PID and current loops. The drive offers standard Safe Torque Off (STO) inputs and optional Position Synchronized Output (PSO) outputs. The drive is also offered with optional encoder interpolation features (-MX2/-MX3), an auxiliary encoder input for dual loop control, dedicated analog and digital I/O (expandable with the -EB1 option), and separate power connections for motor and control supply voltages.

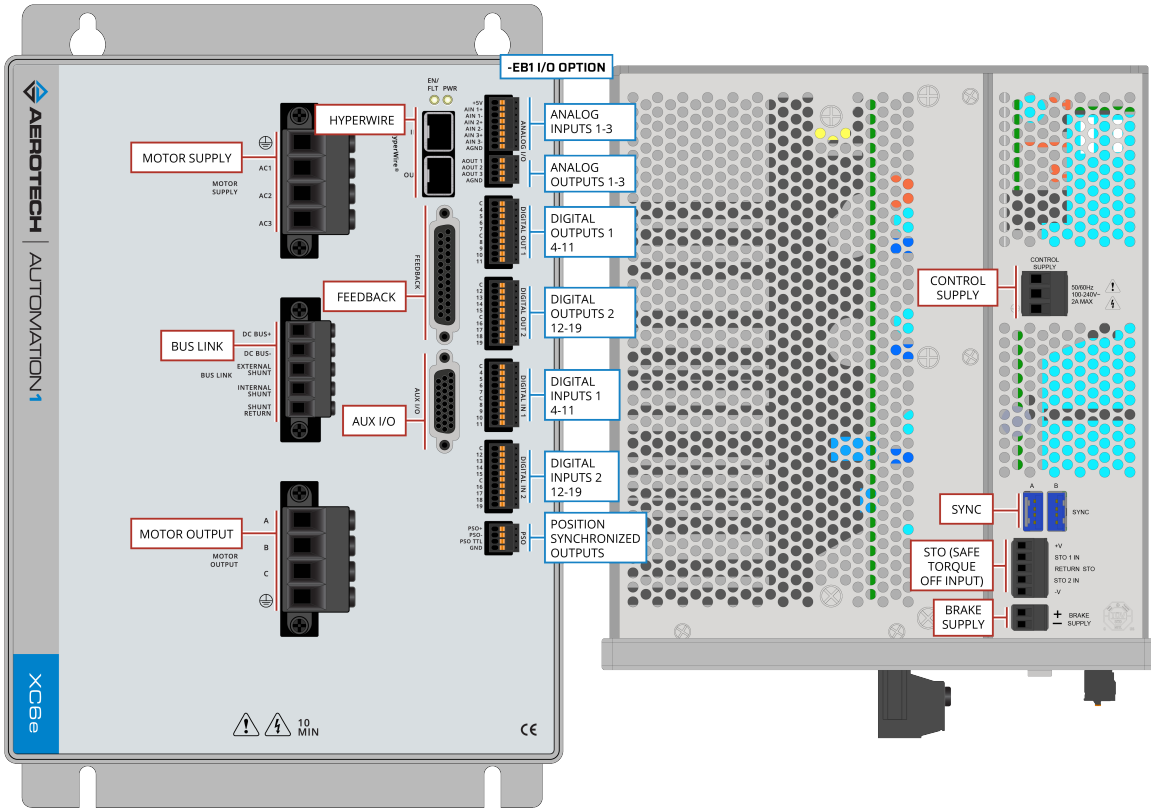


Figure 1-1: XC6e High Power Networked Digital Drive

Table 1-1: Feature Summary

Standard Features		
•	100-240 VAC control supply inputs	Section 2.1.1.
•	Line driver square wave quadrature encoder input for position and velocity feedback	Section 2.3.1.
•	Absolute Encoder support on the Feedback Connector	Section 2.3.1.2.
•	One fail-safe brake output	Section 2.3.6.
•	Two STO sense inputs	Section 2.4.
•	Line driver square wave auxiliary quadrature encoder input or output for PSO	Section 2.5.1.
•	Absolute Encoder support on the Auxiliary I/O Connector	Section 2.5.1.2.
•	Four digital user outputs	Section 2.5.3.
•	Six digital user inputs	
▪	Four Digital Inputs	Section 2.5.4.
▪	Two High-Speed Inputs	Section 2.5.5.
•	One 16-bit analog output (± 10 V)	Section 2.5.6.
•	One 16-bit differential analog input (± 10 V)	Section 2.5.7.
•	Connections to configure an internal shunt resistor	Section 2.8.
Options		
Peak Current		Section 1.1.
-10	10 A Peak, 5 A Continuous Current	
-20	20 A Peak, 10 A Continuous Current	
-30	30 A Peak, 10 A Continuous Current	
-50	50 A Peak, 25 A Continuous Current	
-100	100 A Peak, 30/50 A Continuous Current	
Rated Motor Supply Voltage		Chapter 3
-240	240 VAC Maximum	
-480	480 VAC Maximum	
Expansion Board		Chapter 3
-EB0	No expansion board	
-EB1	I/O expansion board <ul style="list-style-type: none"> • Three 16-bit analog outputs (± 10 V) • Three 16-bit differential analog inputs (± 10 V) • 16 digital logic inputs (5 - 24 VDC), can be connected to current sourcing or sinking devices • 16 digital logic outputs (5 - 24 VDC), user defined as current sourcing or sinking • Digital logic laser firing (PSO) output 	
Multiplier		Section 2.3.1.3.
-MX0	No encoder multiplier	
-MX2	Interpolation circuit allowing for analog sine wave input on the primary encoder channel with an interpolation factor of 65,536.	
-MX3	Interpolation circuit allowing for analog sine wave input on the primary encoder channel with an interpolation factor of 65,536 and an auxiliary encoder channel with an interpolation factor of 16,384.	
PSO		Section 2.5.2.
-PSO1	One-axis PSO firing (includes One-axis Part-Speed PSO)	
-PSO2	Two-axis PSO firing (includes Two-axis Part-Speed PSO)	
-PSO3	Three-axis PSO firing (includes Three-axis Part-Speed PSO)	
-PSO5	Two-axis Part-Speed PSO firing, which uses the PSO firing circuit based off of the commanded vector velocity of up to 2 axes (includes One-Axis PSO).	
-PSO6	Three-axis Part-Speed PSO firing, which uses the PSO firing circuit based off of the commanded vector velocity of 3 or more axes (includes One-Axis PSO).	
Version		
-DEFAULT	Firmware Matches Software Line	
-LEGACY	Legacy Firmware Version X.XX.XXX	

The block diagram that follows shows a summary of the connector signals.

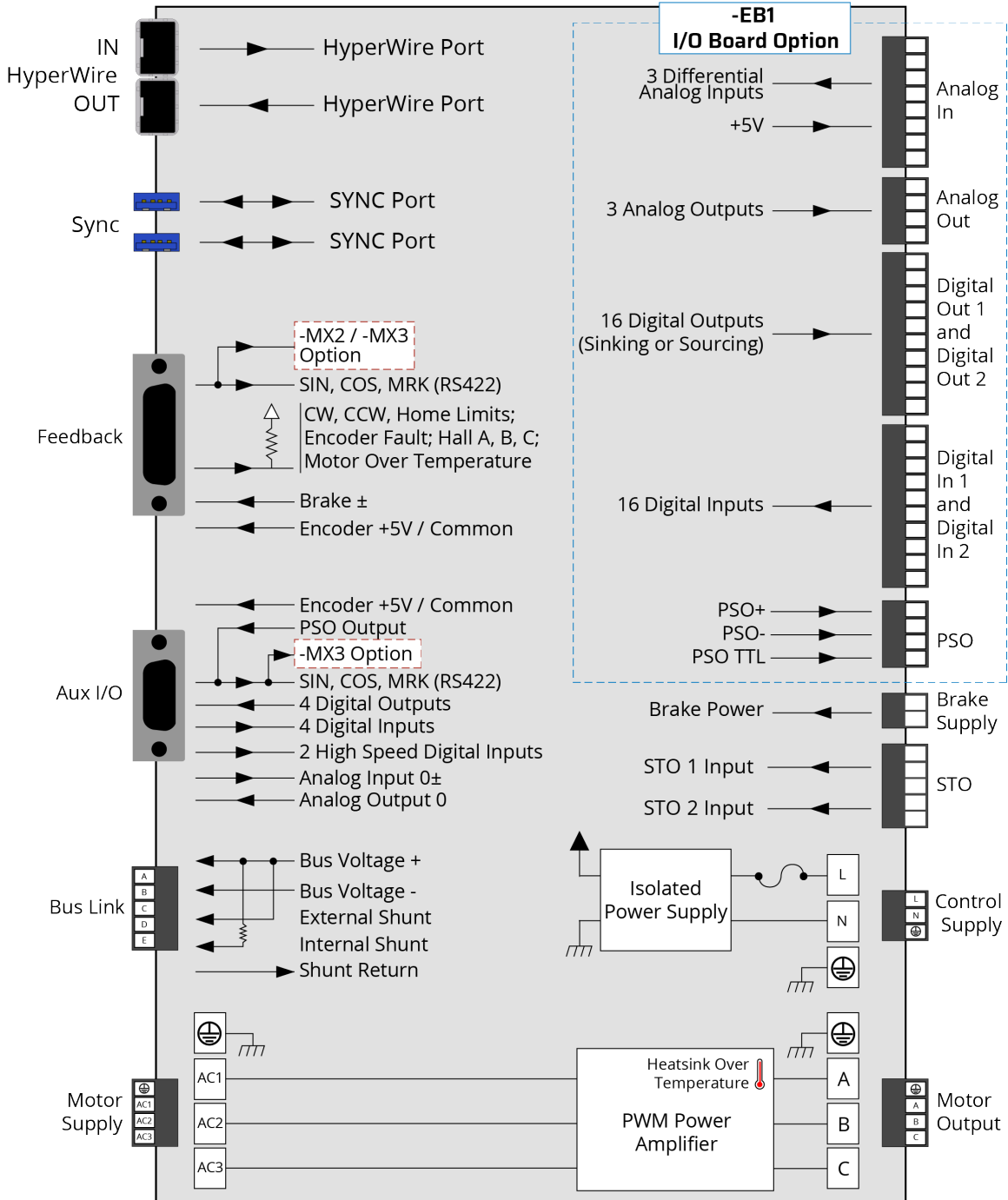


Figure 1-2: Functional Diagram

1.1. Electrical Specifications

Table 1-2: Electrical Specifications

		XC6e-100-240	XC6e-100-480	XC6e-50-240	XC6e-50-480
Motor Supply	Input Voltage	7-240 VAC	7-480 VAC	7-240 VAC	7-480 VAC
	Input Frequency	50-60 Hz			
	Inrush Current	Not internally limited.			
	Input Current	40 A	40 A	25 A	25 A
Control Supply	Input Voltage	100-240 VAC			
	Input Frequency	50-60 Hz			
	Inrush Current	120 A _{pk} @ 240 V			
	Input Power	30 W			
Output Voltage ⁽¹⁾		340 VDC	680 VDC	340 VDC	680 VDC
Peak Output Current (1 second) ⁽²⁾		100 A	100 A	50 A	50 A
Continuous Output Current ⁽²⁾		50 A	30 A (20 kHz) 50 A (10 kHz)	25 A	25 A
Power Amplifier Bandwidth		2500 Hz maximum (software selectable)			
PWM Switching Frequency		20 kHz or 10 kHz (software selectable)			
Minimum Load Inductance		0.5 mH			
User Power Supply Output		5 VDC (@ 500 mA)			
Modes of Operation		Brushless			
Protective Features		Output short circuit; Peak over current; DC bus over voltage; RMS over current; Over temperature; Control power supply under voltage; Power stage bias supply under voltage			
Isolation		Optical and transformer isolation between control and power stages.			
(1) AC input voltage and load dependent.					
(2) Current is measured as the peak amplitude in any motor phase.					

Table 1-3: Electrical Specifications (continued)

		XC6e-10-480	XC6e-20-480	XC6e-30-480
Motor Supply	Input Voltage	7-480 VAC		
	Input Frequency	50-60 Hz		
	Inrush Current	Not internally limited.		
	Input Current	5 A	10 A	15 A
Control Supply	Input Voltage	100-240 VAC		
	Input Frequency	50-60 Hz		
	Inrush Current	120 A _{pk} @ 240 V		
	Input Power	20 W		
Output Voltage ⁽¹⁾		680 VDC		
Peak Output Current (1 second) ⁽²⁾		10 A	20 A	30 A
Continuous Output Current ⁽²⁾		5 A	10 A	15 A
Power Amplifier Bandwidth		2500 Hz maximum (software selectable)		
PWM Switching Frequency		20 kHz or 10 kHz (software selectable)		
Minimum Load Inductance		0.5 mH		
User Power Supply Output		5 VDC (@ 500 mA)		
Modes of Operation		Brushless		
Protective Features		Output short circuit; Peak over current; DC bus over voltage; RMS over current; Over temperature; Control power supply under voltage; Power stage bias supply under voltage		
Isolation		Optical and transformer isolation between control and power stages.		
(1) AC input voltage and load dependent.				
(2) Current is measured as the peak amplitude in any motor phase.				

1.1.1. System Power Requirements

The following equations can be used to determine total system power requirements. The actual power required from the mains supply will be the combination of actual motor power (work), motor resistance losses, and efficiency losses in the power electronics or power transformer.

Use an EfficiencyFactor of approximately 90% in the following equations.

Brushless Motor

Output Power

Rotary Motors Power Output [W] = Torque [N·m] * Angular velocity[rad/sec]

Linear Motors Power Output [W] = Force [N] * Linear velocity[m/sec]

Rotary or Linear Motors Power Output [W] = Bemf [V] * I(rms) * 3

Power Loss = $3 * I(\text{rms})^2 * R(\text{line-line})/2$

Power Input = (Power Output + Power Loss) / EfficiencyFactor

DC Brush Motor

Power Output [W] = Torque [N·m] * Angular velocity[rad/sec]

Power Loss = $I(\text{rms})^2 * R$

Power Input = (Pout + Ploss) / EfficiencyFactor

1.2. Mechanical Specifications

1.2.1. Mounting and Cooling

Install the XC6e in an IP54 compliant enclosure to comply with safety standards. Make sure that there is sufficient clearance surrounding the drive for free airflow and for the cables and connections.

Table 1-4: Mounting Specifications

		XC6e
Customer-Supplied Enclosure		IP54 Compliant
Weight		7 kg
Mounting Hardware		M4 [#8] screws (four locations, not included)
Mounting Orientation		Vertical (typical)
Dimensions		Refer to Section 1.2.2. Dimensions
Minimum Clearance	Airflow	~25 mm
	Connectors	~100 mm
Operating Temperature		Refer to Section 1.3. Environmental Specifications

1.2.2. Dimensions

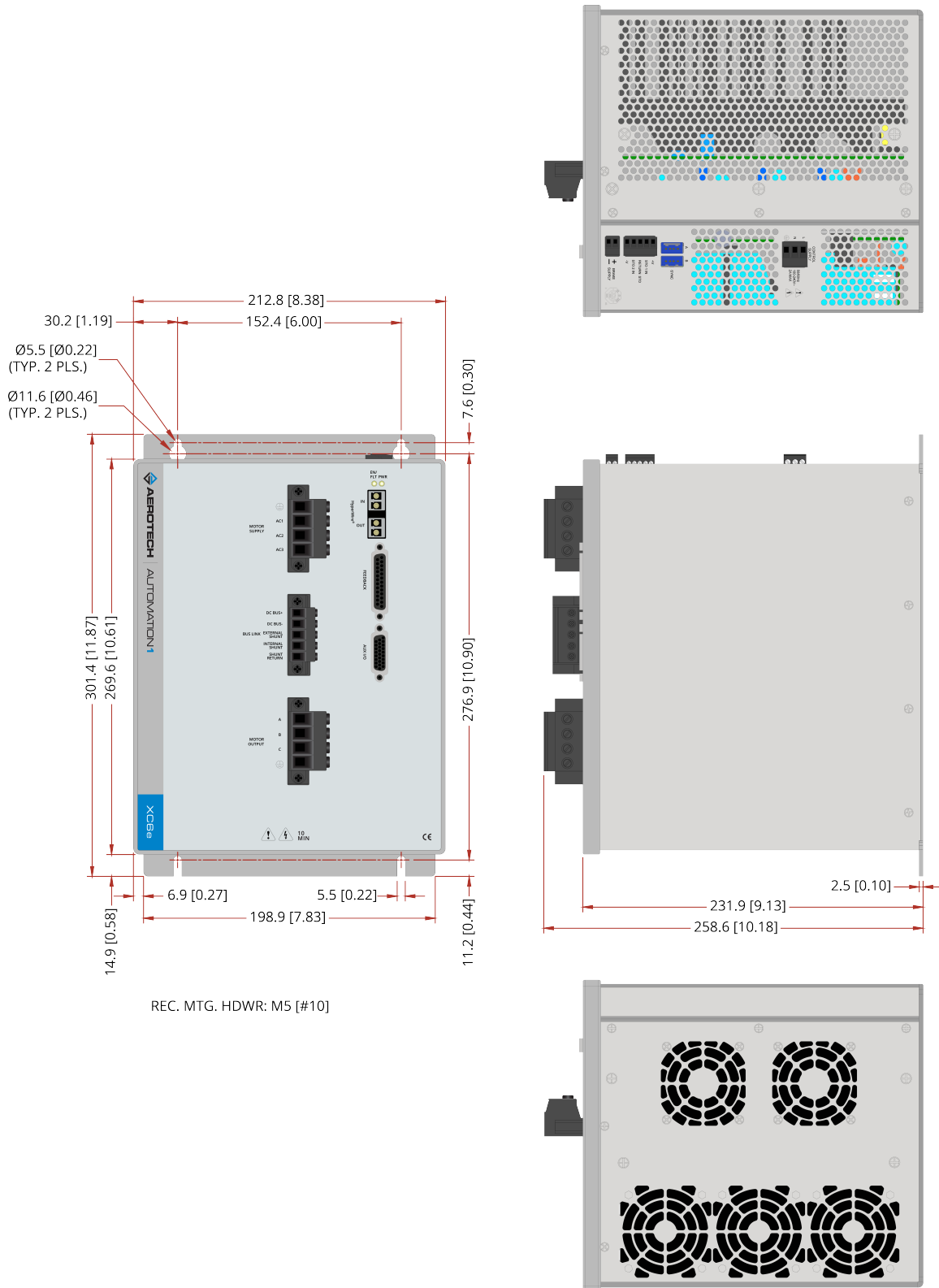


Figure 1-3: Dimensions

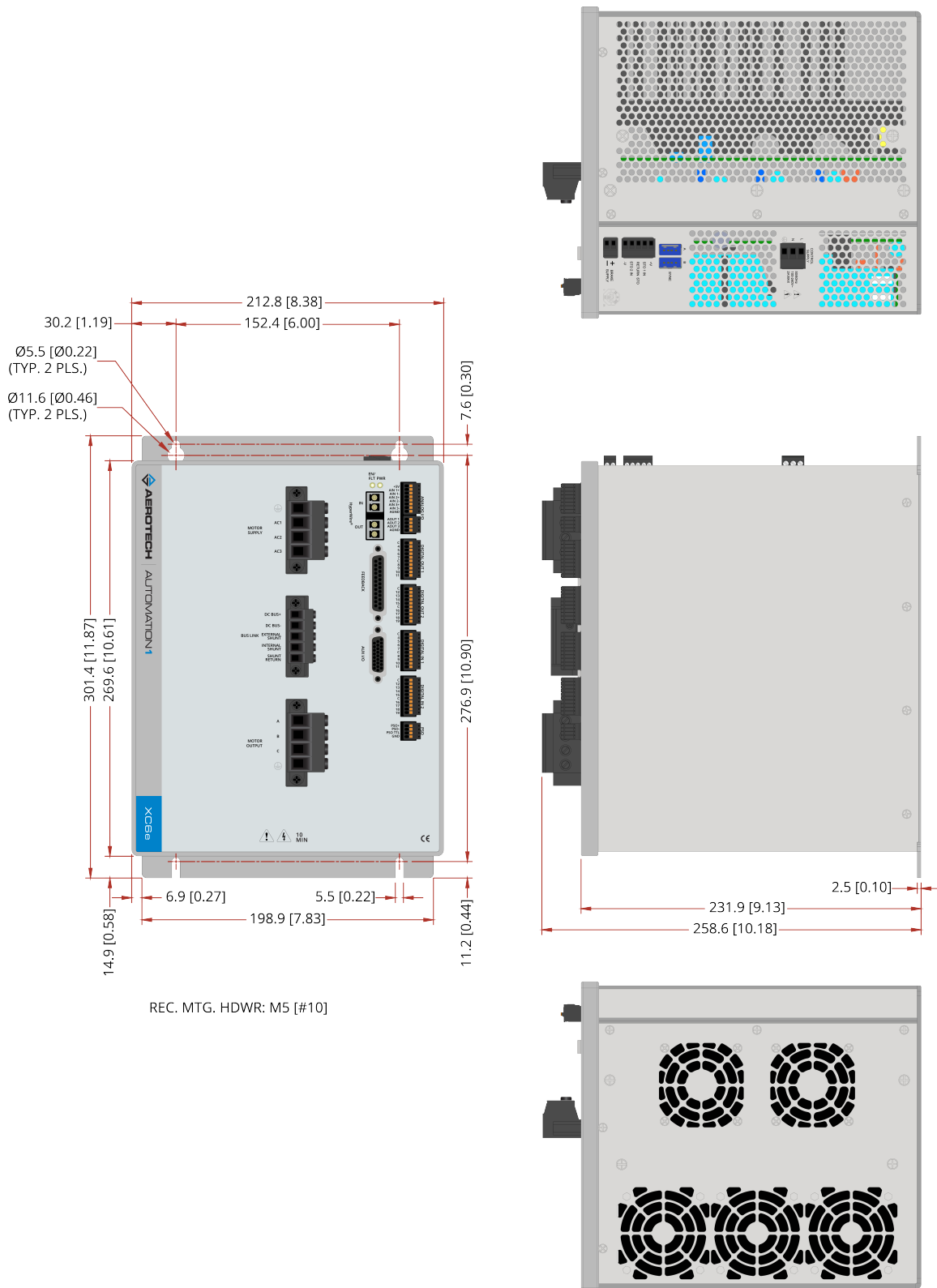


Figure 1-4: Dimensions [-EB1]

1.3. Environmental Specifications

Table 1-5: Environmental Specifications

Ambient Temperature	Operating: 0° to 40°C (32° to 104° F)
	Storage: -30° to 85°C (-22° to 185° F)
Humidity Non-condensing	The maximum relative humidity is 80% for temperatures that are less than 31°C and decreases linearly to 50% relative humidity at 40°C.
Operating Altitude	0 m to 2,000 m (0 ft to 6,562 ft) above sea level. If you must operate this product above 2,000 m or below sea level, contact Aerotech, Inc.
Pollution	Pollution Degree 2 Typically only nonconductive pollution occurs.
Operation	Use only indoors

1.4. Drive and Software Compatibility

This table shows the available drives and which version of the software first supported each drive. In the **Last Software Version** column, drives that show a specific version number are not supported after that version.

Table 1-6: Drive and Software Compatibility

Drive Type	First Software Version	Last Software Version
Automation1 XC6e	2.0.0	Current

This page intentionally left blank.

Chapter 2: Installation and Configuration

Unpacking the Chassis



IMPORTANT: All electronic equipment and instrumentation is wrapped in antistatic material and packaged with desiccant. Ensure that the antistatic material is not damaged during unpacking.

Inspect the container of the XC6e for any evidence of shipping damage. If any damage exists, notify the shipping carrier immediately.

Remove the packing list from the XC6e container. Make sure that all the items specified on the packing list are contained within the package.

The documentation for the XC6e is on the included installation device. The documents include manuals, interconnection drawings, and other documentation pertaining to the system. Save this information for future reference. Additional information about the system is provided on the Serial and Power labels that are placed on the XC6e chassis.

The system serial number label contains important information such as the:

- Customer order number (please provide this number when requesting product support)
- Drawing number
- System part number

2.1. Input Power Connections

The XC6e has two AC input power connectors. One connector is for control power and the other connector is for motor power. For a full list of electrical specifications, refer to [Section 1.1](#).

2.1.1. Control Supply Connector

The Control Supply input supplies power to the communications and logic circuitry of the XC6e. The **L** input is connected to an internal fuse. Refer to [Table 5-4](#) for the internal fuse value and part number. The **N** input is not connected to an internal fuse. An external fuse will be required if **N** is not connected to Neutral.

The Control Supply contains an internal filter but you could be required to add an external filter for CE compliance. Install the external filter module as close as possible to the drive. Use a Schaffner FN2010-6-06, Corcom 10VW1, or similar filter.



IMPORTANT: Refer to local electrical safety requirements to correctly size external system wires.

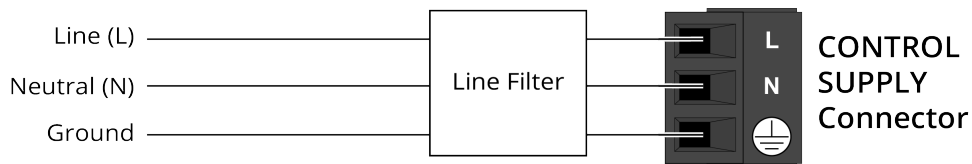


Figure 2-1: Control Supply Connections

Table 2-1: Control Supply Wiring Specifications

Pin	Description	Recommended Wire Size
L	Line (L): 100-240 VAC Control Power Input	0.8 mm ² (#18 AWG)
N	Neutral (N) or 100-240 VAC Control Power Input with external fuse	0.8 mm ² (#18 AWG)
	Protective Ground	0.8 mm ² (#18 AWG)

Table 2-2: Mating Connector Part Numbers for the Control Supply Connector

Type	Aerotech P/N	Third Party P/N	Screw Torque: N·m	Wire Size: mm ² [AWG]
3-Pin Terminal Block	ECK00213	Phoenix 1754465	0.5 - 0.6	3.3 - 0.516 [12-30]

2.1.2. Motor Supply Connector

Motor power is applied to the **AC1**, **AC2**, and **AC3** terminals of the XC6e Motor Supply connector. Three phase power is required and must be in a center grounded TT/TN configuration.

For CE compliance, Aerotech recommends that you use an AC line filter. Connect the filter as close as possible to the drive. For more information about the AC line filter, refer to [Section 2.1.3](#).

The system designer must provide branch protection (fuses or a circuit breaker) for the drive. Add branch protection in accordance with local electrical safety requirements. For the maximum recommended fuse value for each drive version, refer to [Table 2-5](#). Use time-delay type fuses because of the inrush currents that occur when power is applied to the drive.



IMPORTANT: Refer to local electrical safety requirements to correctly size external system wires.



IMPORTANT: Before you operate the XC6e, install a ground connection for your safety and to prevent damage to the equipment.

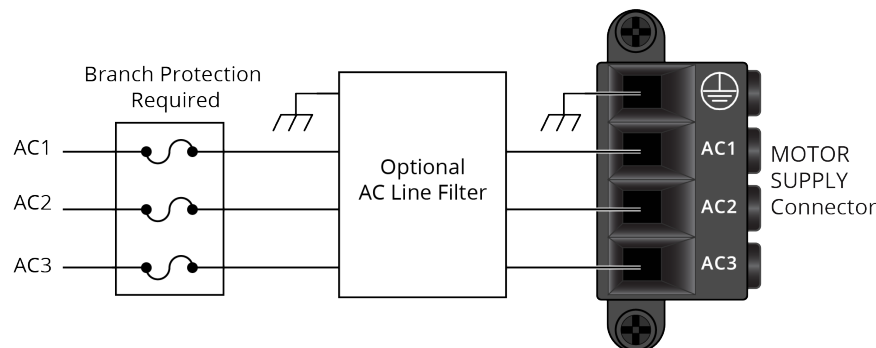


Figure 2-2: Motor Supply Connections

Table 2-3: Motor Supply Connector Wiring Specifications


Pin	XC6e-240 Description	XC6e-480 Description
AC1	7-240 VAC Motor Power Input	7-480 VAC Motor Power Input
AC2	7-240 VAC Motor Power Input	7-480 VAC Motor Power Input
AC3	7-240 VAC Motor Power Input	7-480 VAC Motor Power Input
	Protective Ground	Protective Ground

Table 2-4: Mating Connector Part Numbers for the Motor Supply Connector

Type	Aerotech P/N	Third Party P/N	Screw Torque: N·m	Wire Size: mm ² [AWG]
4-Pin Terminal Block	ECK02495	Phoenix 1710352	1.7 - 1.8	8.36 [8]

Table 2-5: Motor Supply Connector Fuse Specifications

Drive Type	Fuse (Time Delay)	Recommended Wire Size	Recommended Fuse Types
XC6e-100	40 A	8.36 mm ² (#8 AWG)	<ul style="list-style-type: none"> Littelfuse Class RK5 (UL) gG/gL Class (IEC 60269) Type "C" Circuit Breakers
XC6e-50	25 A	5.25 mm ² (#10 AWG)	
XC6e-30	15 A	3.31 mm ² (#12 AWG)	
XC6e-20	10 A	3.31 mm ² (#12 AWG)	
XC6e-10	5 A	3.31 mm ² (#12 AWG)	

2.1.3. Minimizing Noise for EMC/CE Compliance



IMPORTANT: The XC6e is a component designed to be integrated with other electronics. EMC testing must be conducted on the final product configuration.

To reduce electrical noise, observe the following motor feedback and input power wiring techniques.

1. Use shielded cable for motor and feedback connectors. Connect the shield to the backshell at each end of the cable.
2. Separate motor and power wiring from encoder and I/O wiring.
3. Mount drives, power supplies, and filter components on a conductive panel. Mount line filters close to the drive to keep the wire length between the drive and filter to a minimum. Use an AC line filter on the Control Supply such as Schaffner FN2010-6-06 or Corcom 10VW1 or similar. Use an AC line filter on the Motor Supply such as a Schaffner FN258-55-34.
4. Use a separate wire for each ground connection to the drive. Use the shortest possible wire length.

The following additional changes could be required for EMC compliance and are recommended during initial EMC system evaluation.

1. Add a clamp-on ferrite to the feedback cable close to the drive.
[Aerotech PN ECZ02348, Fair-rite PN 0446167281]
2. Add a clamp-on ferrite to the Control Supply wires, including the ground wire, close to the drive.
[Aerotech PN ECZ02347, Fair-rite PN 0446164281]

2.2. Motor Power Output Connector

The XC6e can be used to drive brushless motors (refer to [Section 2.2.1.](#)).

For a complete list of electrical specifications, refer to [Section 1.1.](#)



IMPORTANT: Refer to local electrical safety requirements to correctly size external system wires.

The 4-pin terminal block style motor output connector is located on the front panel. The pinout for this connector is shown in [Table 2-6.](#)

Table 2-6: Motor Power Output Connector Pinout

Pin	Description	Recommended Wire Size	Connector
A	Brushless Phase A Motor Lead	8.36 mm ² (#8 AWG)	
B	Brushless Phase B Motor Lead	8.36 mm ² (#8 AWG)	
C	Brushless Phase C Motor Lead	8.36 mm ² (#8 AWG)	
⊕	Earth Ground to Motor	8.36 mm ² (#8 AWG)	

Table 2-7: Mating Connector Part Numbers for the Motor Power Output Connector

Type	Aerotech P/N	Third Party P/N	Screw Torque: N·m	Wire Size: mm ² [AWG]
4-Pin Terminal Block	ECK02495	Phoenix 1710352	1.7 - 1.8	8.36 [8]

2.2.1. Brushless Motor Connections

The configuration shown in [Figure 2-3](#) is an example of a typical brushless motor connection.

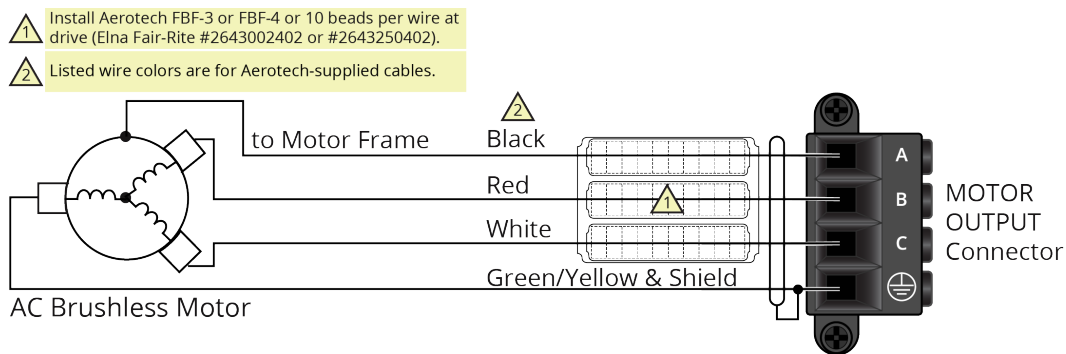


Figure 2-3: Brushless Motor Configuration

Table 2-8: Wire Colors for Aerotech-Supplied Brushless Motor Cables

Pin	Wire Color Set 1 ⁽¹⁾	Wire Color Set 2	Wire Color Set 3	Wire Color Set 4
⊕	Green/Yellow & Shield ⁽²⁾	Green/Yellow & Shield	Green/Yellow & Shield	Green/Yellow & Shield
A	Black	Blue & Yellow	Black #1	Black & Brown
B	Red	Red & Orange	Black #2	Red & Orange
C	White	White & Brown	Black #3	Violet & Blue

(1) Wire Color Set #1 is the wire set typically used by Aerotech.
 (2) "&" indicates two wires (Red & Orange); "/" indicates a single wire (Green/White).

Brushless motors are commutated electronically by the controller. The use of Hall effect devices for commutation is recommended.

The controller requires that the Back-EMF of each motor phase be aligned with the corresponding Hall-effect signal. To ensure proper alignment, motor, Hall, and encoder connections should be verified using one of the following methods: *powered*, through the use of a test program; or *unpowered* using an oscilloscope. Both methods will identify the A, B, and C Hall/motor lead sets and indicate the correct connections to the controller. Refer to [Section 2.2.1.1.](#) for powered motor phasing or [Section 2.2.1.2.](#) for unpowered motor and feedback phasing.

For Aerotech-supplied systems, the motor, encoder and Hall sensors are correctly configured and connection adjustments are not necessary.

A motor filter module can be installed between the drive and the motor to reduce the effects on PWM generated noise currents.

2.2.1.1. Brushless Motor Powered Motor and Feedback Phasing

Observe the state of the encoder and Hall-effect device signals in the Diagnostics section of the Status Utility.

Table 2-9: Hall Signal Diagnostics

Hall-Signal Status	Definition
--	0 V or logic low
ON	5 V or logic high

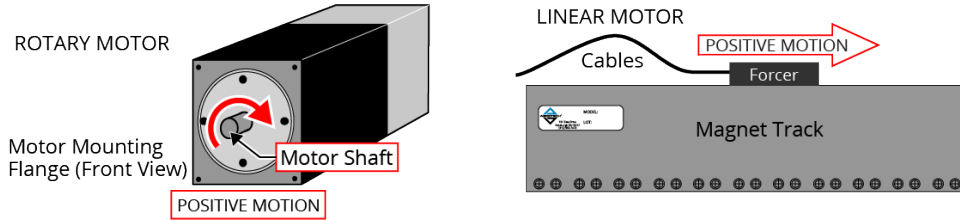


Figure 2-4: Positive Motor Direction

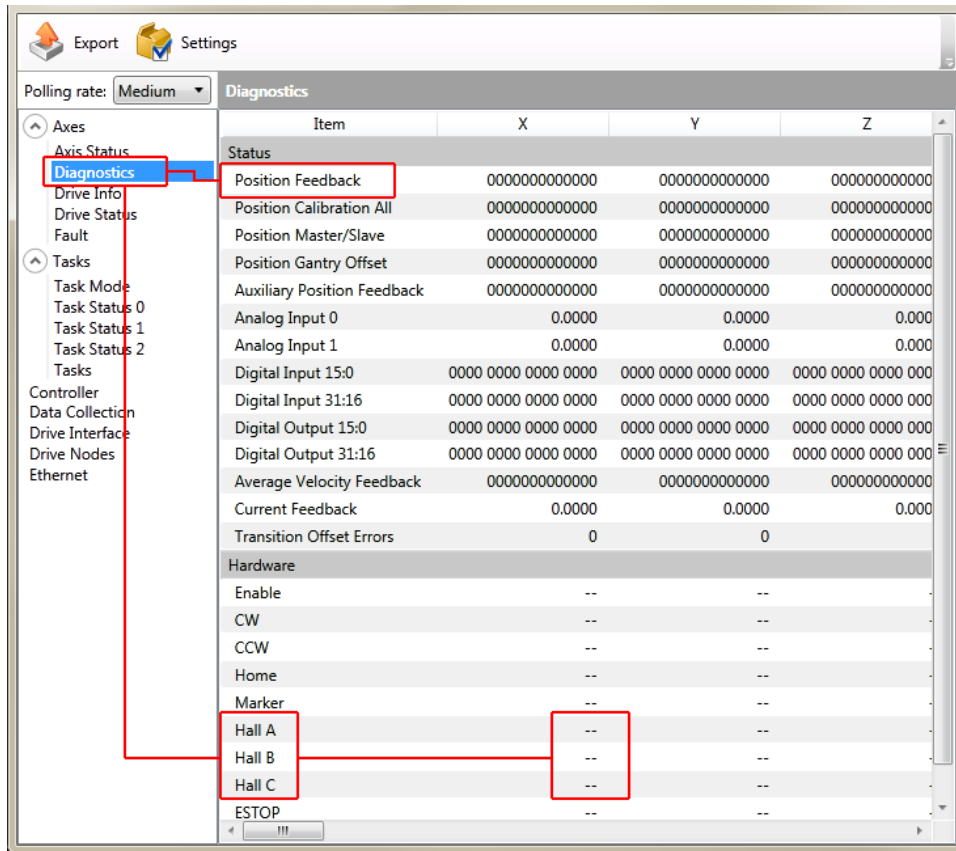


Figure 2-5: Encoder and Hall Signal Diagnostics

2.2.1.2. Brushless Motor Unpowered Motor and Feedback Phasing

Disconnect the motor from the controller and connect the motor in the test configuration shown in Figure 2-6. This method will require a two-channel oscilloscope, a 5V power supply, and six resistors (10,000 ohm, 1/4 watt). All measurements should be made with the probe common of each channel of the oscilloscope connected to a neutral reference test point (TP4, shown in Figure 2-6). Wave forms are shown while moving the motor in the positive direction.

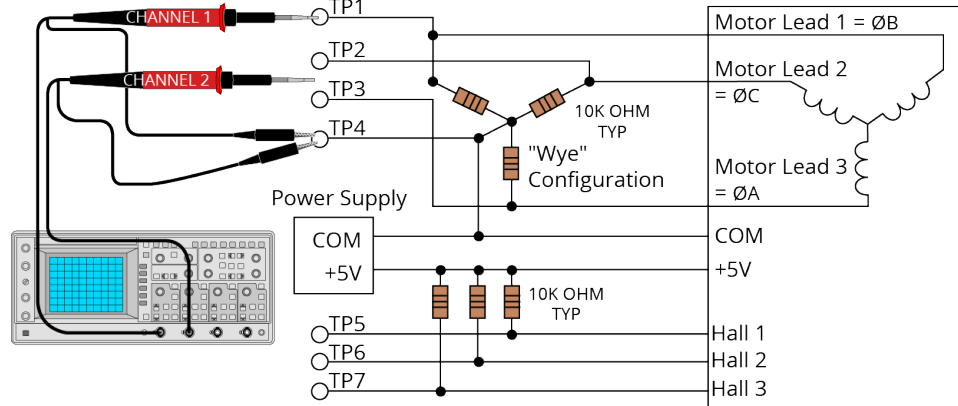


Figure 2-6: Brushless Motor Phasing Oscilloscope Example

With the designations of the motor and Hall leads of a third party motor determined, the motor can now be connected to an Aerotech system. Connect motor lead A to motor connector A, motor lead B to motor connector B, and motor lead C to motor connector C. Hall leads should also be connected to their respective feedback connector pins (Hall A lead to the Hall A feedback pin, Hall B to Hall B, and Hall C to Hall C). The motor is correctly phased when the Hall states align with the Back EMF as shown in (Figure 2-7). Use the CommutationOffset parameter to correct for Hall signal misalignment.

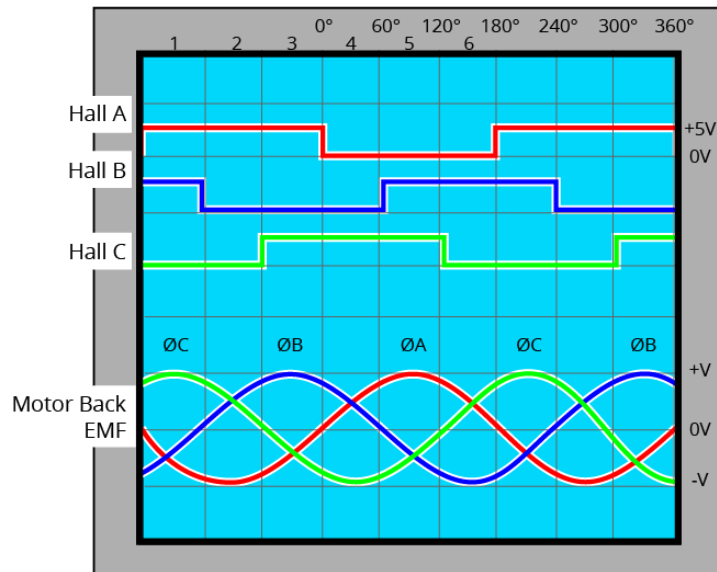
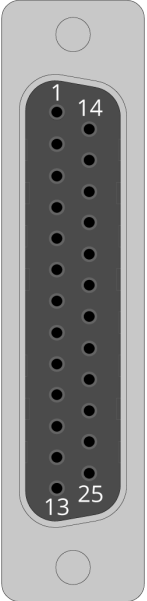


Figure 2-7: Brushless Motor Phasing Goal

2.3. Feedback Connector

The connector pin assignment is shown in [Table 2-10](#) with detailed connection information in the following sections.

Table 2-10: Feedback Connector Pinout

Pin #	Description	In/Out/Bi	Connector
1	Reserved	N/A	
2	Motor Over Temperature Thermistor	Input	
3	+5V Power ⁽¹⁾	N/A	
4	Plug and Play Serial Data (for Aerotech stages only)	Bidirectional	
5	Hall-Effect Sensor B (brushless motors only)	Input	
6	Encoder Marker Reference Pulse -	Input	
	Absolute Encoder Clock -	Output	
7	Encoder Marker Reference Pulse +	Input	
	Absolute Encoder Clock +	Output	
8	Absolute Encoder Data -	Bidirectional	
9	Reserved	N/A	
10	Hall-Effect Sensor A (brushless motors only)	Input	
11	Hall-Effect Sensor C (brushless motors only)	Input	
12	Clockwise End of Travel Limit	Input	
13	Brake Output -	Output	
14	Encoder Cosine +	Input	
15	Encoder Cosine -	Input	
16	+5V Power ⁽¹⁾	N/A	
17	Encoder Sine +	Input	
18	Encoder Sine -	Input	
19	Absolute Encoder Data+	Bidirectional	
20	Signal Common	N/A	
21	Signal Common	N/A	
22	Home Switch Input	Input	
23	Encoder Fault Input	Input	
24	Counterclockwise End of Travel Limit	Input	
25	Brake Output +	Output	

(1) The maximum combined current output is 500 mA.

Table 2-11: Mating Connector Part Numbers for the Feedback Connector

Mating Connector	Aerotech P/N	Third Party P/N
25-Pin D-Connector	ECK00101	FCI DB25P064TXLF
Backshell	ECK00656	Amphenol 17E-1726-2

2.3.1. Primary Encoder Inputs

The primary encoder inputs are accessible through the Feedback connector. Use the PrimaryFeedbackType parameter to configure the XC6e to accept an encoder signal type.

Square Wave encoder signals: [Section 2.3.1.1.](#)

Absolute encoder signals: [Section 2.3.1.2.](#)

Sine Wave encoder signals (as permitted by the multiplier option): [Section 2.3.1.3.](#)

Refer to [Section 2.3.1.4.](#) for encoder feedback phasing.

Refer to [Section 2.5.](#) for the auxiliary encoder input on the Aux I/O connector.

Table 2-12: Multiplier Options

Option	Primary Encoder Accepts...	Auxiliary Encoder Accepts...
-MX0	Square Wave or Absolute encoders	Square Wave or Absolute encoders
-MX2	Sine Wave (high performance), Square Wave, or Absolute encoders	Square Wave or Absolute encoders
-MX3	Sine Wave (high performance), Square Wave, or Absolute encoders	Sine Wave (standard performance), Square Wave, or Absolute encoders



IMPORTANT: Physically isolate the encoder wiring from motor, AC power, and all other power wiring

Table 2-13: Primary Encoder Input Pins on the Feedback Connector

Pin #	Description	In/Out/Bi
3	+5V Power ⁽¹⁾	N/A
6	Encoder Marker Reference Pulse -	Input
	Absolute Encoder Clock -	Output
7	Encoder Marker Reference Pulse +	Input
	Absolute Encoder Clock +	Output
8	Absolute Encoder Data -	Bidirectional
14	Encoder Cosine +	Input
15	Encoder Cosine -	Input
16	+5V Power ⁽¹⁾	N/A
17	Encoder Sine +	Input
18	Encoder Sine -	Input
19	Absolute Encoder Data+	Bidirectional
20	Signal Common	N/A
21	Signal Common	N/A

(1) The maximum combined current output is 500 mA.

2.3.1.1. Square Wave Encoder

The drive accepts RS-422 square wave encoder signals. The drive will generate a feedback fault if it detects an invalid signal state caused by an open or shorted signal connection. Use twisted-pair wiring for the highest performance and noise immunity.

Table 2-14: Square Wave Encoder Specifications

Specification	Value
Encoder Frequency	10 MHz maximum (25 ns minimum edge separation)
x4 Quadrature Decoding	40 million counts/sec

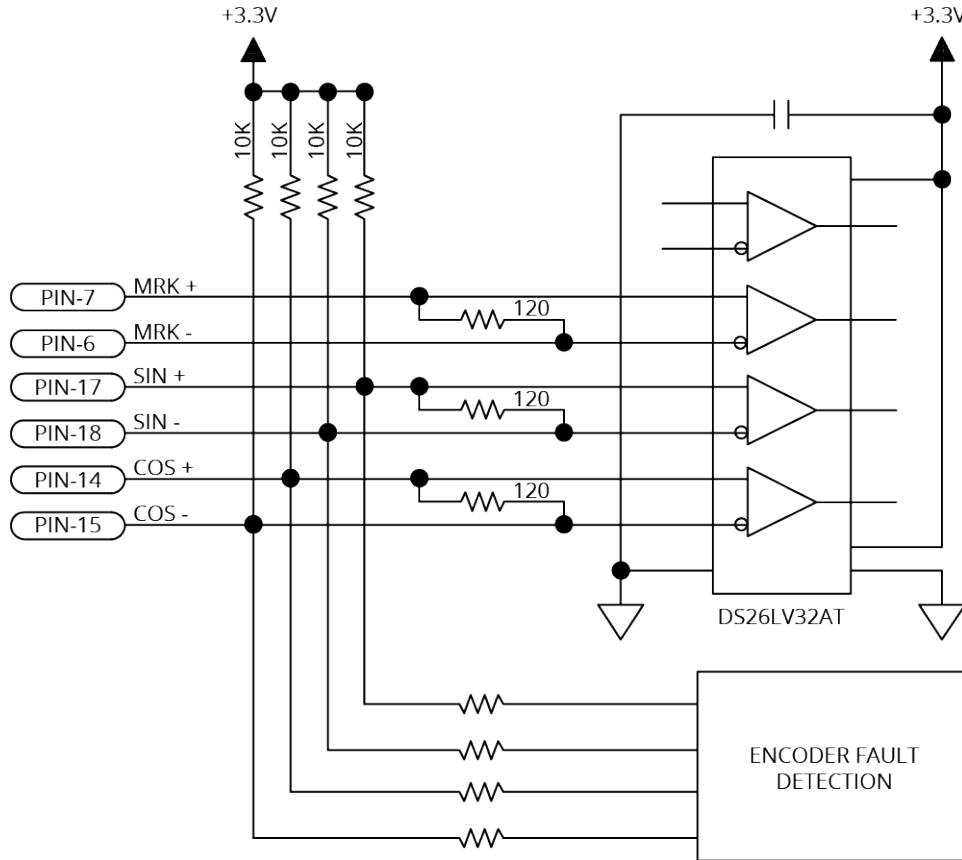


Figure 2-8: Square Wave Encoder Schematic (Feedback Connector)

2.3.1.2. Absolute Encoder

The drive retrieves absolute position data along with encoder fault information through a serial data stream from the absolute encoder. Use twisted-pair wiring for the highest performance and noise immunity. You cannot echo an absolute encoder signal.

Refer to [Figure 2-9](#) for the serial data stream interface.

Refer to the Help file for information on how to set up your EnDat or BiSS absolute encoder parameters.

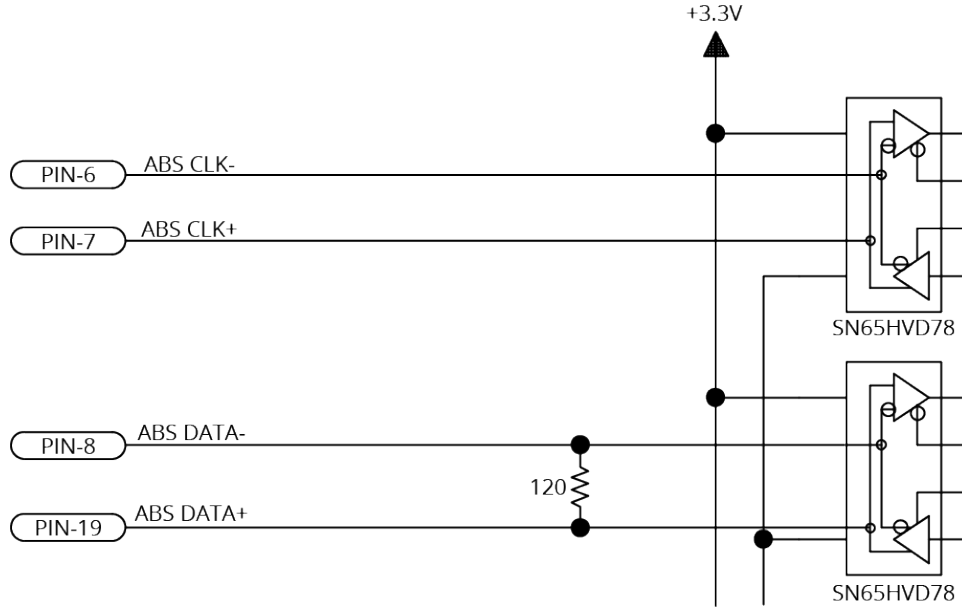


Figure 2-9: Absolute Encoder Schematic (Feedback Connector)

2.3.1.3. Sine Wave Encoder [-MX2/-MX3 Option]

The Sine Wave Encoder option provides higher positioning resolution by subdividing the fundamental output period of the encoder into smaller increments. The amount of subdivision is specified by the PrimaryEncoderMultiplicationFactor parameter. Use Encoder Tuning to adjust the value of the gain, offset, and phase balance controller parameters to get the best performance. For more information, refer to the Help file.

High resolution or high-speed encoders can require increased bandwidth for correct operation. Use the High Speed Mode of the PrimaryEncoderMultiplierSetup parameter to enable the high bandwidth mode. Because this mode increases sensitivity to system noise, use it only if necessary.

The XC6e can generate emulated encoder signals. These signals can be output on the Auxiliary Encoder (AUX) connector, SYNC port connector, or used internally by the PSO. Refer to the EncoderDivider and PrimaryEmulatedQuadratureDivider parameters and the encoder output functions in the Help file for more information.

For the highest performance, use twisted pair double-shielded cable with the inner shield connected to signal common and the outer shield connected to frame ground. Do not join the inner and outer shields in the cable.

Table 2-15: Sine Wave Encoder Specifications

Specification	Value	
	Primary	Auxiliary
Input Frequency (max)	450 kHz, 2 MHz	450 kHz
Input Amplitude ⁽¹⁾	0.6 to 1.75 Vpk-pk	
Interpolation Factor (max)	-MX2	65,536
	-MX3	65,536
-MX2/-MX3 Primary Encoder Channel Interpolation Latency	800 nsec (analog input to quadrature output)	
Input Common Mode	1.5 to 3.5 VDC	

(1) Measured as SIN(+) - SIN(-) or COS(+) - COS(-)

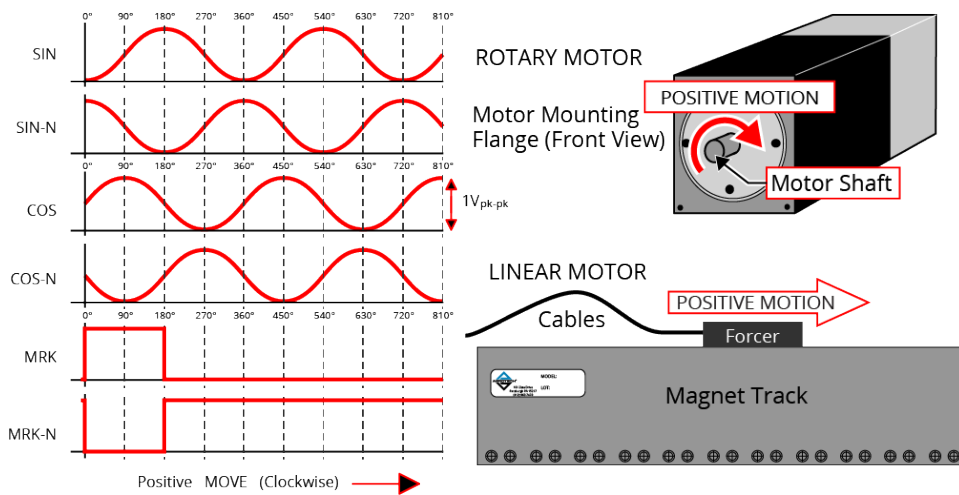


Figure 2-10: Sine Wave Encoder Phasing Reference Diagram

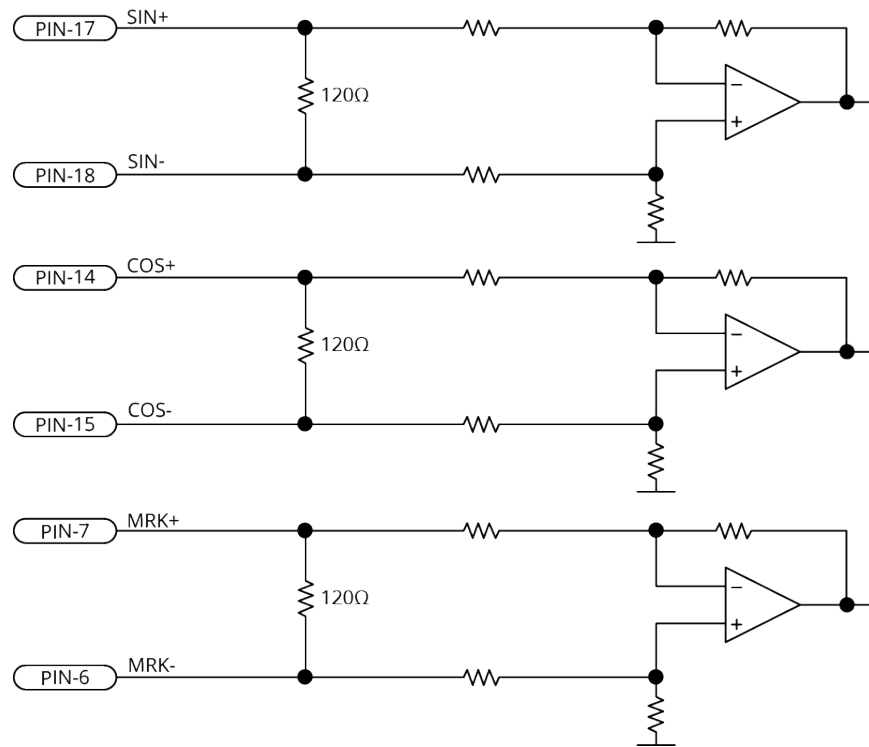


Figure 2-11: Sine Wave Encoder Schematic (Feedback Connector)

2.3.1.4. Encoder Phasing

Incorrect encoder polarity will cause the system to fault when enabled or when a move command is issued. Figure 2-12 illustrates the proper encoder phasing for clockwise motor rotation (or positive forcer movement for linear motors). To verify, move the motor by hand in the CW (positive) direction while observing the position of the encoder in the diagnostics display (see Figure 2-13).

For dual loop systems, the velocity feedback encoder is displayed in the diagnostic display (Figure 2-13).

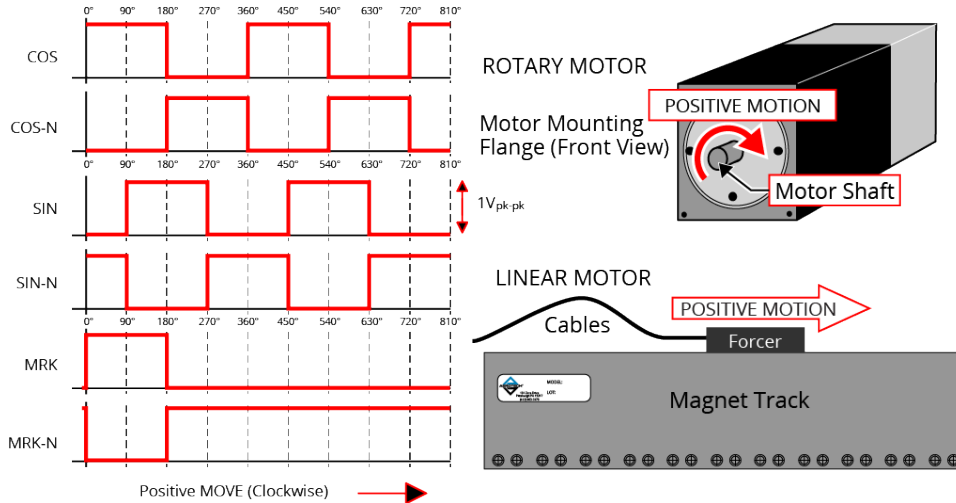


Figure 2-12: Encoder Phasing Reference Diagram (Standard)



IMPORTANT: Encoder manufacturers may refer to the encoder signals as A, B, and Z. The proper phase relationship between signals is shown in Figure 2-12.

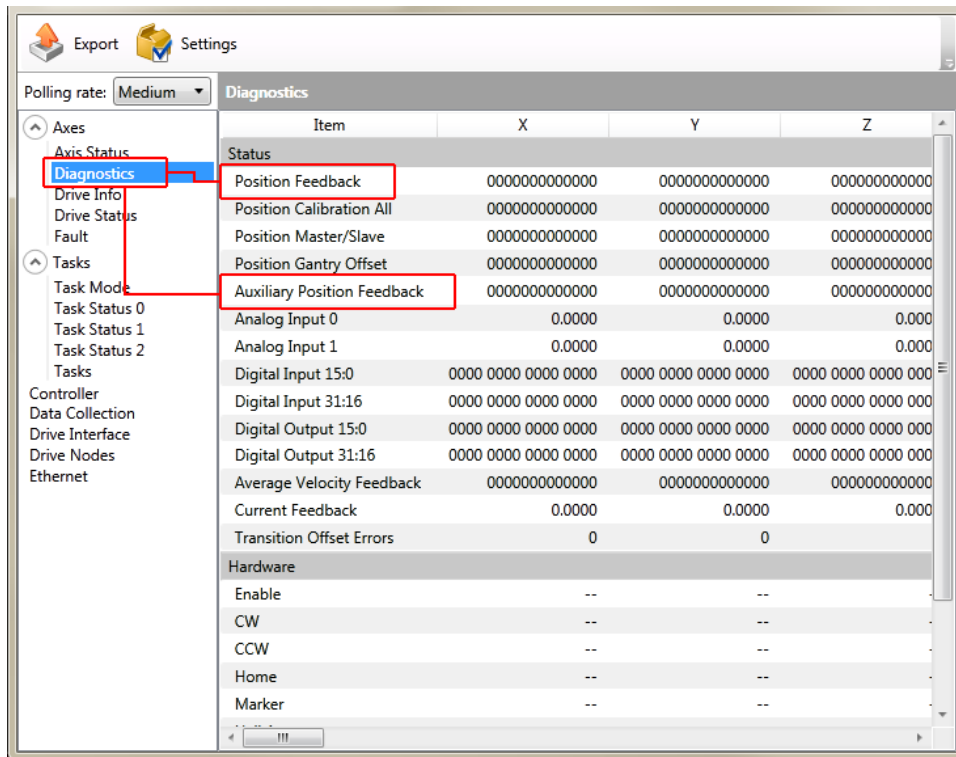


Figure 2-13: Position Feedback in the Diagnostic Display

2.3.2. Hall-Effect Inputs

The Hall-effect switch inputs are recommended for AC brushless motor commutation but not absolutely required. The Hall-effect inputs accept 5 VDC level signals. Hall states (0,0,0) or (1,1,1) are invalid and will generate a "Hall Fault" axis fault.

Refer to [Section 2.2.1.1](#), for Hall-effect device phasing.

Table 2-16: Hall-Effect Feedback Pins on the Feedback Connector

Pin #	Description	In/Out/Bi
3	+5V Power ⁽¹⁾	N/A
5	Hall-Effect Sensor B (brushless motors only)	Input
10	Hall-Effect Sensor A (brushless motors only)	Input
11	Hall-Effect Sensor C (brushless motors only)	Input
16	+5V Power ⁽¹⁾	N/A
20	Signal Common	N/A
21	Signal Common	N/A

(1) The maximum combined current output is 500 mA.

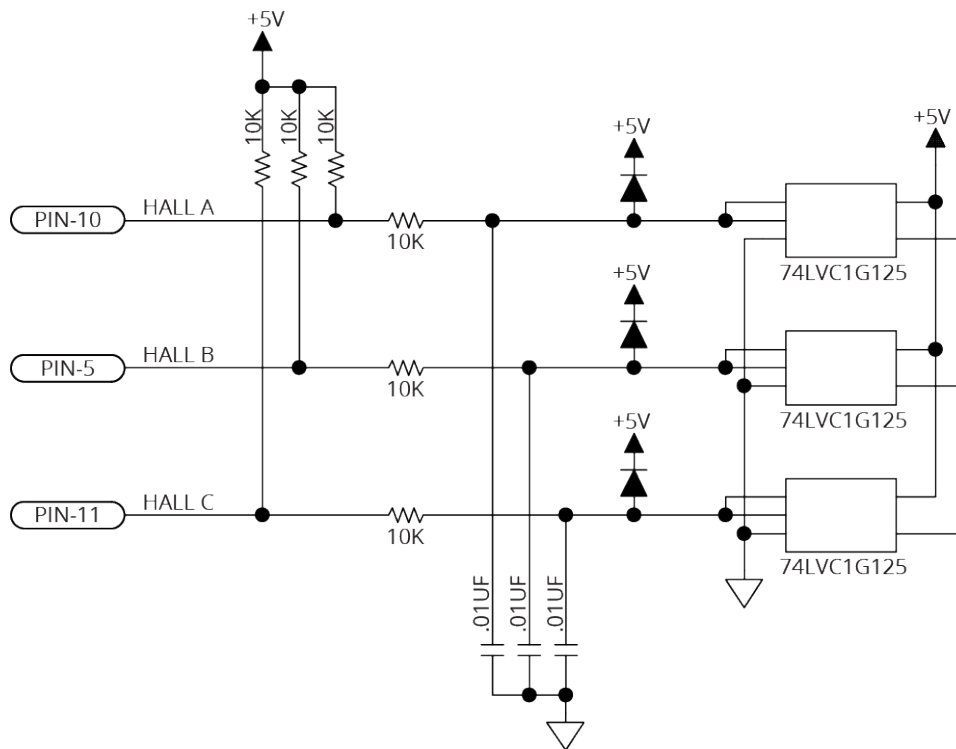


Figure 2-14: Hall-Effect Inputs Schematic (Feedback Connector)

2.3.3. Thermistor Input

The thermistor input is used to detect a motor over temperature condition by using a positive temperature coefficient sensor. As the temperature of the sensor increases, so does the resistance. Under normal operating conditions, the resistance of the thermistor is low which will result in a low input signal. As the increasing temperature causes the thermistor's resistance to increase, the sensor will trigger an over temperature fault.

The thermistor is connected between Pin 2 and Signal Common. The nominal trip value of the sensor is 1.385 k Ω . The circuit includes a 12 k Ω internal pull-up resistor which corresponds to a trip voltage of +0.52 V.

Table 2-17: Thermistor Input Pin on the Feedback Connector

Pin #	Description	In/Out/Bi
2	Motor Over Temperature Thermistor	Input

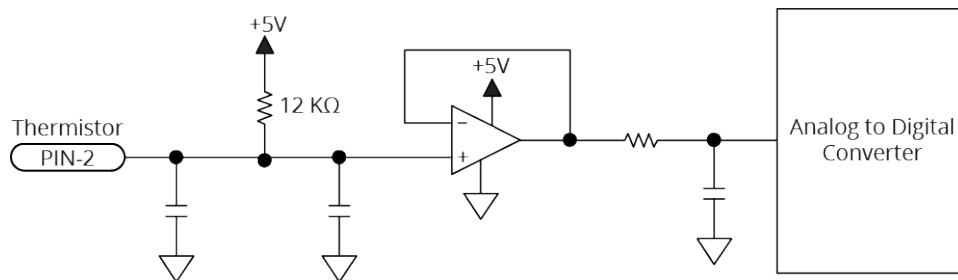


Figure 2-15: Thermistor Input Schematic (Feedback Connector)

2.3.4. Encoder Fault Input

The encoder fault input is for use with encoders that have a fault output. This is provided by some manufactures and indicates a loss of encoder function. The active state of this input is parameter configurable and the controller should be configured to disable the axis when the fault level is active. The nominal trip voltage of the encoder fault input is +2.5 V.

Table 2-18: Encoder Fault Input Pin on the Feedback Connector

Pin #	Description	In/Out/Bi
23	Encoder Fault Input	Input

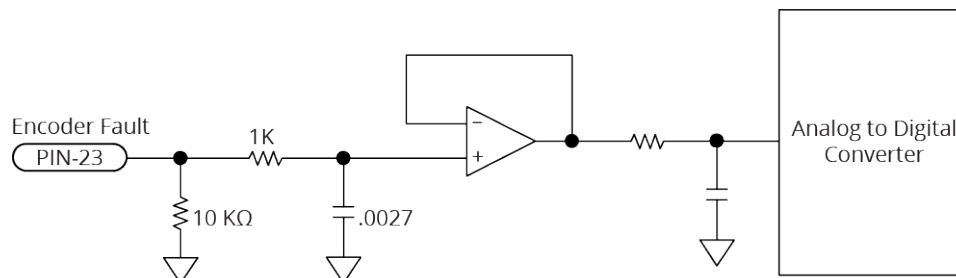


Figure 2-16: Encoder Fault Input Schematic (Feedback Connector)

2.3.5. End of Travel and Home Limit Inputs

End of Travel (EOT) limits are required to define the end of the physical travel on linear axes. Positive or clockwise motion is stopped by the clockwise (CW) end of travel limit input. Negative or counterclockwise motion is stopped by the counterclockwise (CCW) end of travel limit input. The Home Limit switch can be parameter configured for use during the home cycle, however, the CW or CCW EOT limit is typically used instead. All of the end-of-travel limit inputs accept 0-5 VDC level signals. Limit directions are relative to the encoder polarity in the diagnostics display (refer to [Figure 2-19](#)).

Table 2-19: End of Travel and Home Limit Pins on the Feedback Connector

Pin #	Description	In/Out/Bi
12	Clockwise End of Travel Limit	Input
16	+5V Power	N/A
20	Signal Common	N/A
21	Signal Common	N/A
22	Home Switch Input	Input
24	Counterclockwise End of Travel Limit	Input

The active state (High/Low) of the EOT limits is software selectable (by the EndOfTravelLimitSetup axis parameter). [Figure 2-17](#) shows the possible wiring configurations for normally-open and normally-closed switches and the parameter setting to use for each configuration.



IMPORTANT: Use NPN-type normally-closed limit switches (Active High) to provide fail-safe behavior in the event of an open circuit.

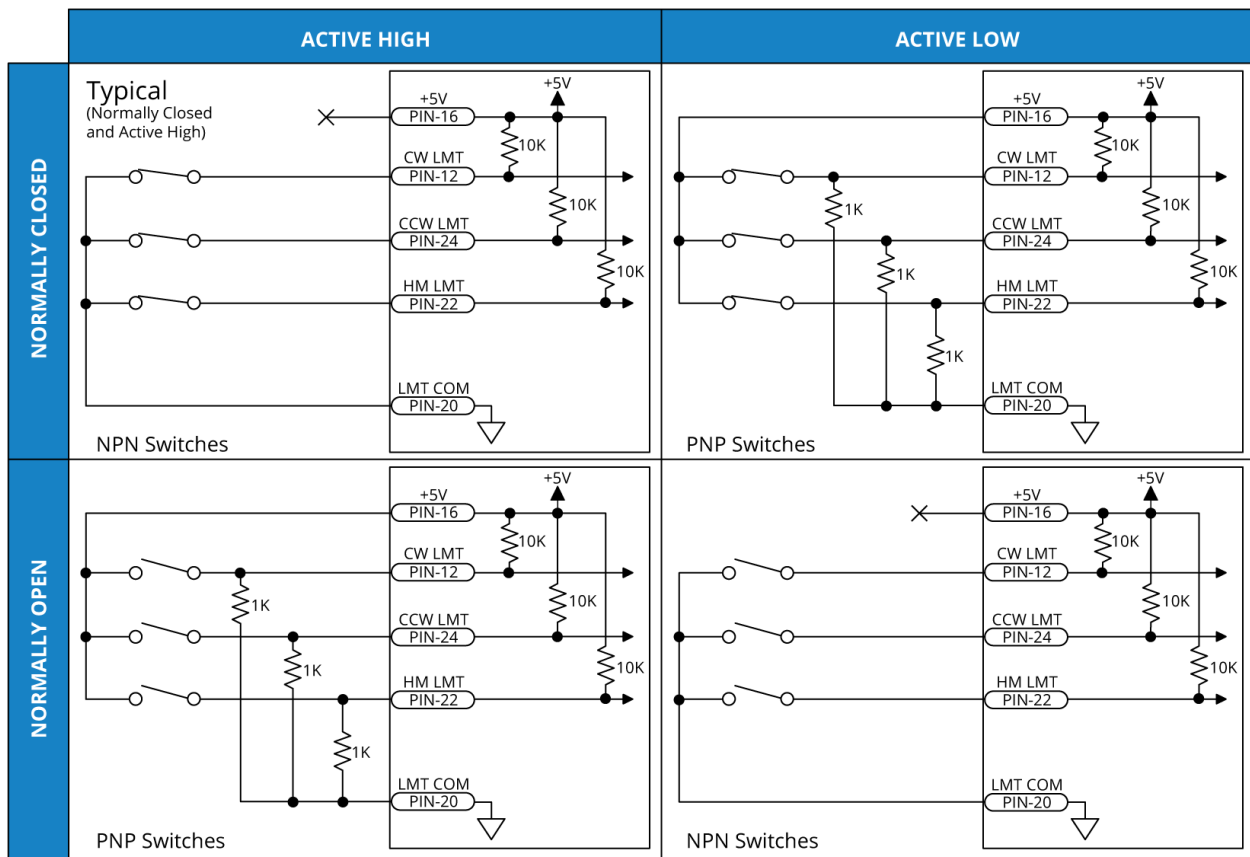


Figure 2-17: End of Travel and Home Limit Input Connections

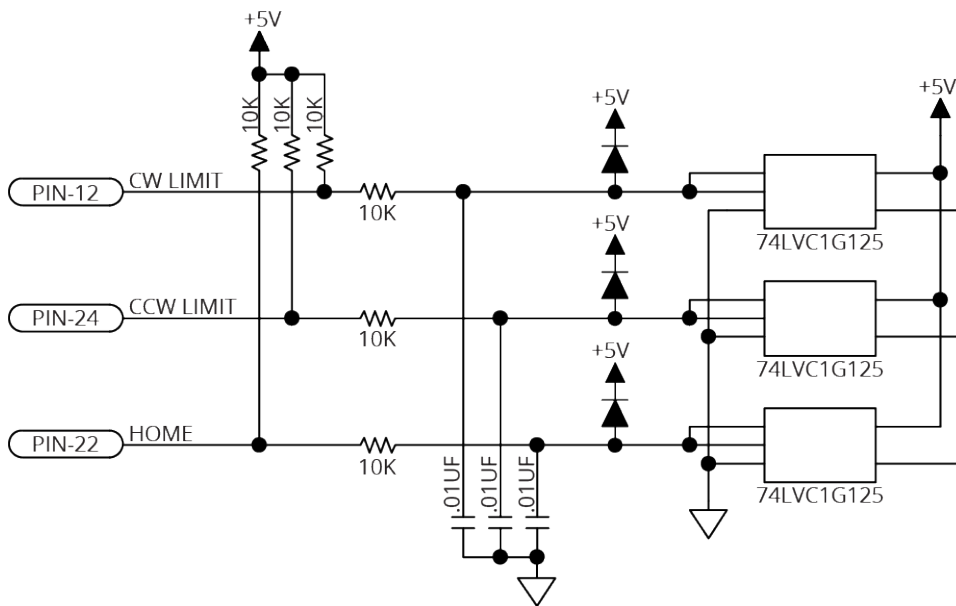


Figure 2-18: End of Travel and Home Limit Input Schematic (Feedback Connector)

2.3.5.1. End of Travel and Home Limit Phasing

If the EOT limits are reversed, you will be able to move further into a limit but be unable to move out. To correct this, swap the connections to the CW and CCW inputs at the Feedback connector or swap the CW and CCW limit functionality in the software using the EndOfTravelLimitSetup parameter. View the logic level of the EOT limit inputs in the Diagnostics display (shown in [Figure 2-19](#)).

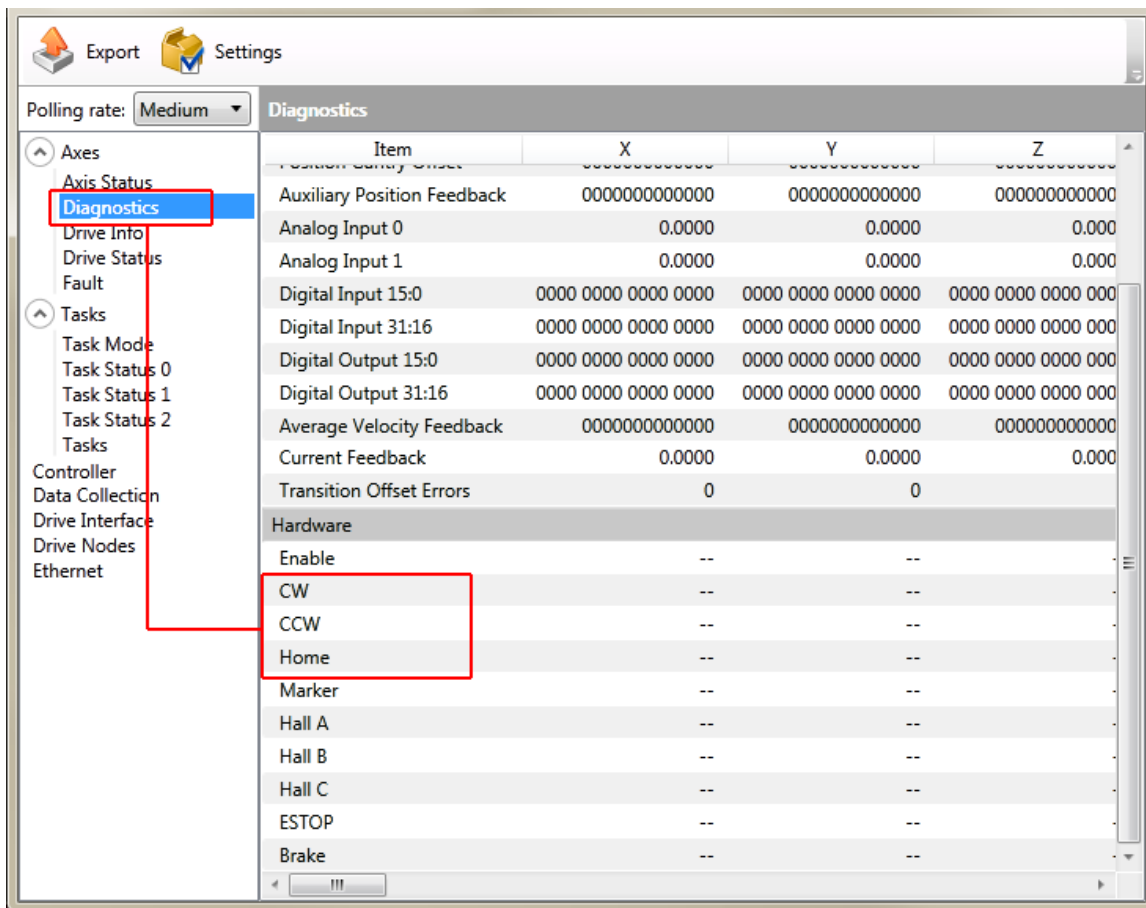


Figure 2-19: End of Travel and Home Limit Input Diagnostic Display

2.3.6. Brake Outputs

The XC6e has a dedicated brake control circuit. Configure the brake with the BrakeSetup parameter for automatic control (typical). You can also use software commands to directly control the brake output.

Refer to [Section 2.6](#), for more information on powering the brake circuit.

Table 2-20: Brake Output Pins on the Feedback Connector

Pin #	Description	In/Out/Bi
13	Brake Output -	Output
25	Brake Output +	Output

Table 2-21: Brake Control Specifications

Specification	Value
Maximum Voltage	24 VDC
Maximum Current	1 A

A varistor must be connected across the brake to minimize voltage transients.

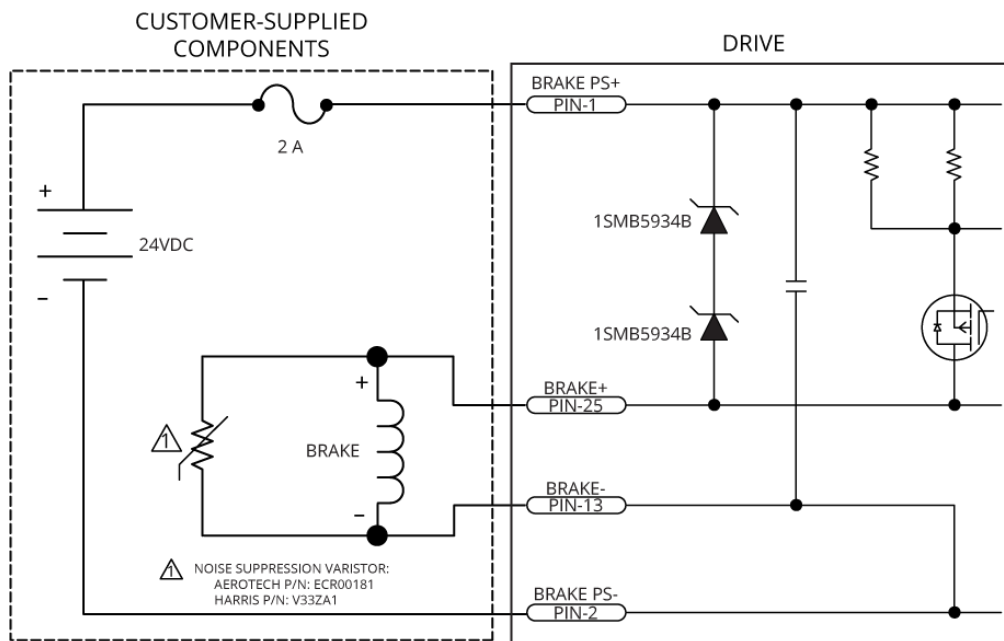


Figure 2-20: Brake Connected to the 25-Pin Feedback Connector (Typical)

2.4. Safe Torque Off Input (STO)

The STO circuit is comprised of two identical channels, each of which must be energized in order for the drive to produce motion. Each STO input is opto-isolated and accepts 24 V levels directly without the need for external current limiting resistors.



IMPORTANT: The drive might be equipped with an STO bypass circuit board. The bypass circuit board defeats the STO safety circuit and allows the system to run at all times. To use the STO safety functionality, remove the circuit board and make connections as outlined in this section.



IMPORTANT: The application circuit and its suitability for the desired safety level is the sole responsibility of the user of the drive.



WARNING: STO wires must be insulated to prevent short circuits between connector pins. The primary concern is a short circuit between STO 1 IN and STO 2 IN wire strands.

Table 2-22: STO Connector Pinout

Pin #	Signal	Description	In/Out/Bi	Connector
1	Power Supply +	Used to defeat STO by connecting to STO 1 IN and STO 2 IN	N/A	
2	STO 1 IN	STO Channel 1 Positive Input	Input	
3	RETURN	STO Negative Input	Input	
4	STO 2 IN	STO Channel 2 Positive Input	Input	
5	Power Supply -	Used to defeat STO by connecting to RETURN	N/A	

Table 2-23: Mating Connector Part Numbers for the STO Connector

Description	Aerotech P/N	Phoenix P/N	Tightening Torque (Nm)	Wire Size: AWG [mm ²]
5-Pin Terminal Block	ECK02393	1827622	0.22 - 0.25	2.5 - 0.05 [14-30]

Table 2-24: STO Electrical Specifications

Status	Value
STO off (motion allowed)	18-24 V, 7 ma
STO on (safe state entered, no motion)	0-6 V
Recommended Wire Gauge	22-26 AWG (0.5 - 0.14 mm ²)
STO System Power Supply	PELV
STO Wire Length (maximum)	50 m

Figure 2-21 shows one safety device connected to multiple drives in parallel.



WARNING: The drive does not check for short circuits on the external STO wiring. If this is not done by the external safety device, short circuits on the wiring must be excluded. Refer to EN ISO 13849-2. For Category 4 systems, the exclusion of short circuits is mandatory.

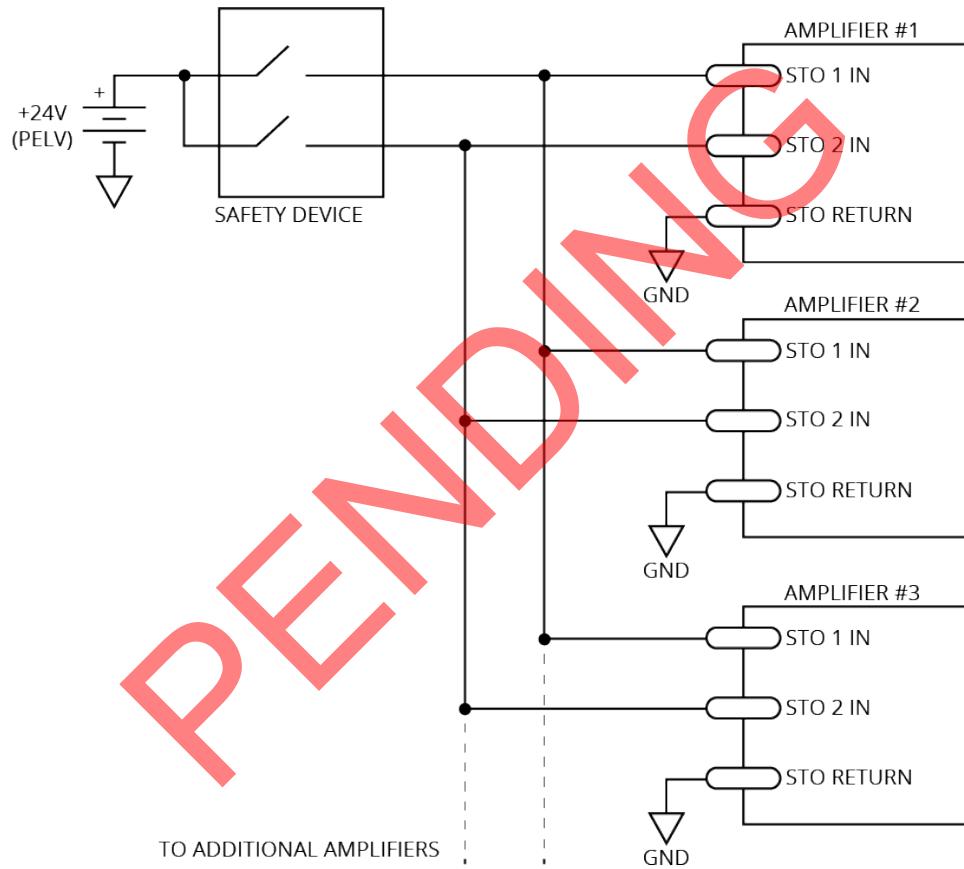


Figure 2-21: Typical Configuration

2.4.1. STO Standards

Table 2-25 describes and specifies the safety requirements at the system level for the Safe Torque Off (STO) feature of the drive. This assumes that diagnostic testing is performed according to Section 2.4.4. and Table 2-26.

Table 2-25: STO Standards

Standard	Maximum Achievable Safety
EN/IEC 61800-5- 2:2016	SIL 3
EN/IEC 61508-1:2010	SIL 3
EN/IEC 61508-2:2010	SIL 3
EN ISO 13849-1:2015	Category 4, PL e
EN/IEC 62061:2005 with Amendments	SIL 3

Table 2-26: STO Standards Data

Standard	Value
EN ISO 13849-1:2015	MTTF _D > 1000 years, DC _{AVG} 99% Maximum PL e, Category 4
EN ISO 13849-1:2015 EN/IEC 61508	Lifetime = 20 years No proof test required Interval for manual STO test: <ul style="list-style-type: none"> • Once per year for SIL2/PL d/category 3 • Once per three months for SIL3/PL e/category 3 • Once per day for SIL3/PL e/category 4
EN/IEC 61508	SIL3 PFH < 3 FIT SFF > 99%

2.4.2. STO Functional Description

The motor can only be activated when voltage is applied to both STO 1 and STO 2 inputs. The STO state will be entered if power is removed from either the STO 1 or the STO 2 inputs. When the STO state is entered, the motor cannot generate torque or force and is therefore considered safe.

The STO function is implemented with two redundant channels in order to meet stated performance and SIL levels. STO 1 disconnects the high side power amplifier transistors and STO 2 disconnects the low side power amplifier transistors. Disconnecting either set of transistors effectively prevents the drive from being able to produce motion.

The drive software monitors each STO channel and will generate an Emergency Stop software fault when either channel signals the stop state. Each STO channel contains a fixed delay which allows the drive to perform a controlled stop before the power amplifier transistors are turned off.

A typical configuration requiring a controlled stop has the Emergency Stop Fault mask bit set in the FaultMask, FaultMaskDecel, and FaultMaskDisable parameters. This stops the axis using the rate specified by the AbortDecelRate parameter. The software will disable the axis as soon as the deceleration ramp is complete. This is typically configured to occur before the STO channel turns off the power amplifier transistors.

The software controlled stop functionality must be excluded when considering overall system safety. This is because the software is not safety rated and cannot be included as part of the safety function.

The drive will tolerate short diagnostic pulses on the STO 1+ and STO 2+ inputs. The parameter "STOPulseFilter" specifies the maximum pulse width that the drive will ignore.

To resume normal operation, apply power to both STO 1 and STO 2 inputs and use the *Acknowledge All* button or the AcknowledgeAll() or FaultAcknowledge() function to clear the Emergency Stop software fault. The recommended use of the Emergency Stop Fault fault mask bits prevent the system from automatically restarting.

You can achieve longer delay times through the use of an external delay timer, such as the Omron G9SA-321 Safety Relay Unit. Place this device between the system ESTOP wiring and the drive's STO inputs. Connect the ESTOP signal directly to a digital input, in addition to the external timer, to allow the drive to begin a software-controlled stop as soon as the ESTOP signal becomes active. Use the EmergencyStopFaultInput parameter to configure a digital input as an ESTOP input.

Non-standard STO delay times are provided by special factory order. In this case, the non-standard STO delay time is indicated by a label placed on the slice amplifier's main connector (STO DELAY = xx sec).

Table 2-27: STO Signal Delay

	Value
STO Time Delay	450-550 msec

Table 2-28: Motor Function Relative to STO Input State

STO 1	STO 2	Motor Function
Unpowered	Unpowered	No force/torque
Unpowered ⁽¹⁾	Powered ⁽¹⁾	No force/torque
Powered ⁽¹⁾	Unpowered ⁽¹⁾	No force/torque
Powered	Powered	Normal Operation

1. This is considered a Fault Condition since STO 1 and STO 2 do not match. Refer to [Section 2.4.4](#).

2.4.3. STO Startup Validation Testing

Verify the state of the STO 1 and STO 2 channels by manually activating the external STO hardware. Each STO channel must be tested separately in order to detect potential short circuits between the channels. The current state of the STO 1 and STO 2 inputs is shown in the Status Utility. A “-” indicates that the STO input is powered by a high voltage level (24 V). An “ON” indicates that the voltage source has been removed from the input (open circuit or 0 V), and that the STO channel is in the safe state.



DANGER: The STO circuit does not remove lethal voltage from the motor terminals. AC mains power must be removed before servicing.

2.4.4. STO Diagnostics

Activation of STO means removing power from the drive's STO inputs. This is typically done by pressing the emergency stop switch. The drive initiates a diagnostic check every time the STO is activated after the Diagnostic Test Delay Time has elapsed. The diagnostic check verifies that each channel has entered the safe state. The drive is held in the safe state if it determines that one of the channels has not properly entered the safe state. An open circuit or short to 24 V in either STO channel will result in this condition (refer to [Section 2.4.3.](#)). The Status Utility screen can be used to verify the levels of the STO input signals while trouble shooting.

In order to meet the listed SIL level, the STO circuit must be activated (power removed from both inputs) according to the interval specified in [Table 2-26.](#)

Table 2-29: STO Timing

Time	Description	Value
T1	STO Delay Time (STO input active to motor power off)	450-550 msec
T2	STO deactivated to motor power on (the software is typically configured so that the motor does not automatically re-energize).	< 1 msec
T3	Diagnostic Test Delay Time	550-610 msec

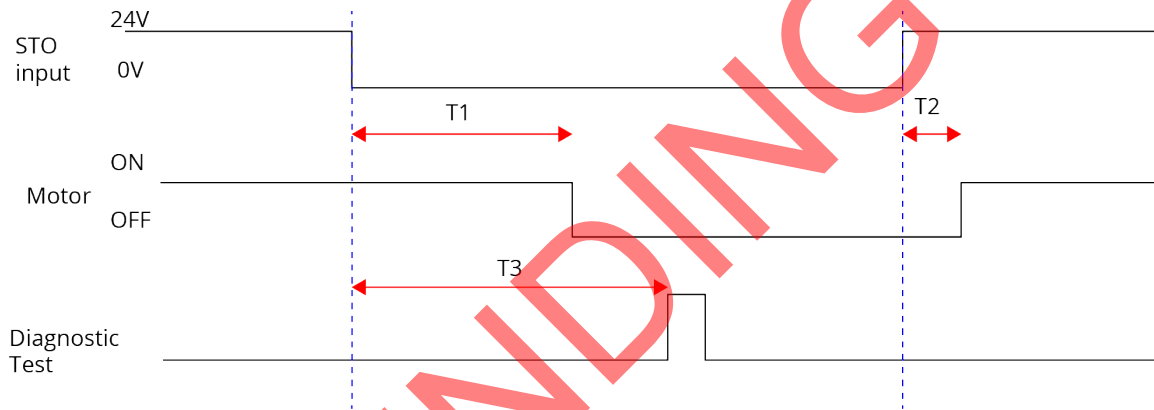


Figure 2-22: STO Timing

The software is typically configured to execute a controlled stop when the STO state is first detected. If power is reapplied to the STO inputs before the STO Delay Time, an STO hardware shutdown will not occur but a software stop may, depending on the width of the STO pulse. The controller will ignore STO active pulses shorter in length than the STOPulseFilter parameter setting.

2.5. Auxiliary I/O Connector

The Auxiliary I/O connector has 1 analog input, 6 digital inputs, 1 analog output, 4 digital outputs, a secondary line driver encoder input, and a secondary absolute encoder interface.

Table 2-30: Auxiliary I/O Connector Pinout

Pin#	Description	In/Out/Bi	Connector
1	Auxiliary Sine +	Bidirectional	
	Absolute Encoder Data +	Bidirectional	
2	Auxiliary Sine -	Bidirectional	
	Absolute Encoder Data -	Bidirectional	
3	High-Speed Input 20 + / PSO External Sync. +	Input	
4	High-Speed Input 20 - / PSO External Sync. -	Input	
5	High-Speed Input 21 +	Input	
6	High-Speed Input 21 -	Input	
7	Digital Output 0	Output	
8	Digital Output 1	Output	
9	Digital Output 2	Output	
10	Auxiliary Cosine +	Bidirectional	
	Absolute Encoder Clock +	Output	
11	Auxiliary Cosine-	Bidirectional	
	Absolute Encoder Clock -	Output	
12	+5 Volt (500 mA max)	N/A	
13	Analog Input 0+ (Differential)	Input	
14	Analog Input 0- (Differential)	Input	
15	Digital Output Common	N/A	
16	Digital Output 3	Output	
17	Digital Input 0 / CCW EOT Input ⁽¹⁾	Input	
18	Digital Input 1 / CW EOT Input ⁽¹⁾	Input	
19	Auxiliary Marker- / PSO output ⁽²⁾ / TTL Output	Bidirectional	
20	Auxiliary Marker+ / PSO output ⁽²⁾	Bidirectional	
21	Common	N/A	
22	Analog Output 0	Output	
23	Analog Common	N/A	
24	Digital Input Common	N/A	
25	Digital Input 2 / Home Input ⁽¹⁾	Input	
26	Digital Input 3	Input	

(1) Software configured option
(2) For PSO, refer to [Section 2.5.2](#).

Table 2-31: Mating Connector Part Numbers for the Auxiliary I/O Connector

Mating Connector	Aerotech P/N	Third Party P/N
Connector	ECK01259	Kycon K86-AA-26P
Backshell	ECK01022	Amphenol 17-1725-2

NOTE: These items are provided as a set under the Aerotech P/N: MCK-26HDD.

2.5.1. Auxiliary Encoder Inputs

The Auxiliary Encoder connector gives you a second encoder input channel. This channel is typically used for dual loop applications.

Use the AuxiliaryFeedbackType parameter to configure the XC6e to accept an encoder signal type.

Square Wave encoder signals: [Section 2.5.1.1.](#)

Absolute encoder signals: [Section 2.5.1.2.](#)

Sine Wave encoder signals (with the -MX3 option): [Section 2.5.1.3.](#)

You can configure the Auxiliary Encoder interface as an output that will transmit encoder signals for external use. Use the DriveEncoderOutputConfigureInput() function to configure the Sine \pm and Cosine \pm connector pins as RS-422 outputs. You can only echo incremental square wave primary encoder inputs or, with the -MX2 or -MX3 option, incremental sine wave primary encoder inputs. You cannot use the absolute encoder interface when you echo incremental signals.

Table 2-32: Auxiliary Encoder Pins on the Auxiliary I/O Connector

Pin#	Description	In/Out/Bi
1	Auxiliary Sine +	Bidirectional
	Absolute Encoder Data +	Bidirectional
2	Auxiliary Sine -	Bidirectional
	Absolute Encoder Data -	Bidirectional
10	Auxiliary Cosine +	Bidirectional
	Absolute Encoder Clock +	Output
11	Auxiliary Cosine-	Bidirectional
	Absolute Encoder Clock -	Output
12	+5 Volt (500 mA max)	N/A
19	Auxiliary Marker- / PSO output ⁽²⁾ / TTL Output	Bidirectional
20	Auxiliary Marker+ / PSO output ⁽²⁾	Bidirectional
21	Common	N/A

(2) For PSO, refer to [Section 2.5.2.](#)

2.5.1.1. Square Wave Encoder

The drive accepts RS-422 square wave encoder signals. The drive will generate a feedback fault if it detects an invalid signal state caused by an open or shorted signal connection. Use twisted-pair wiring for the highest performance and noise immunity.

Table 2-33: Square Wave Encoder Specifications

Specification	Value
Encoder Frequency	10 MHz maximum (25 ns minimum edge separation)
x4 Quadrature Decoding	40 million counts/sec

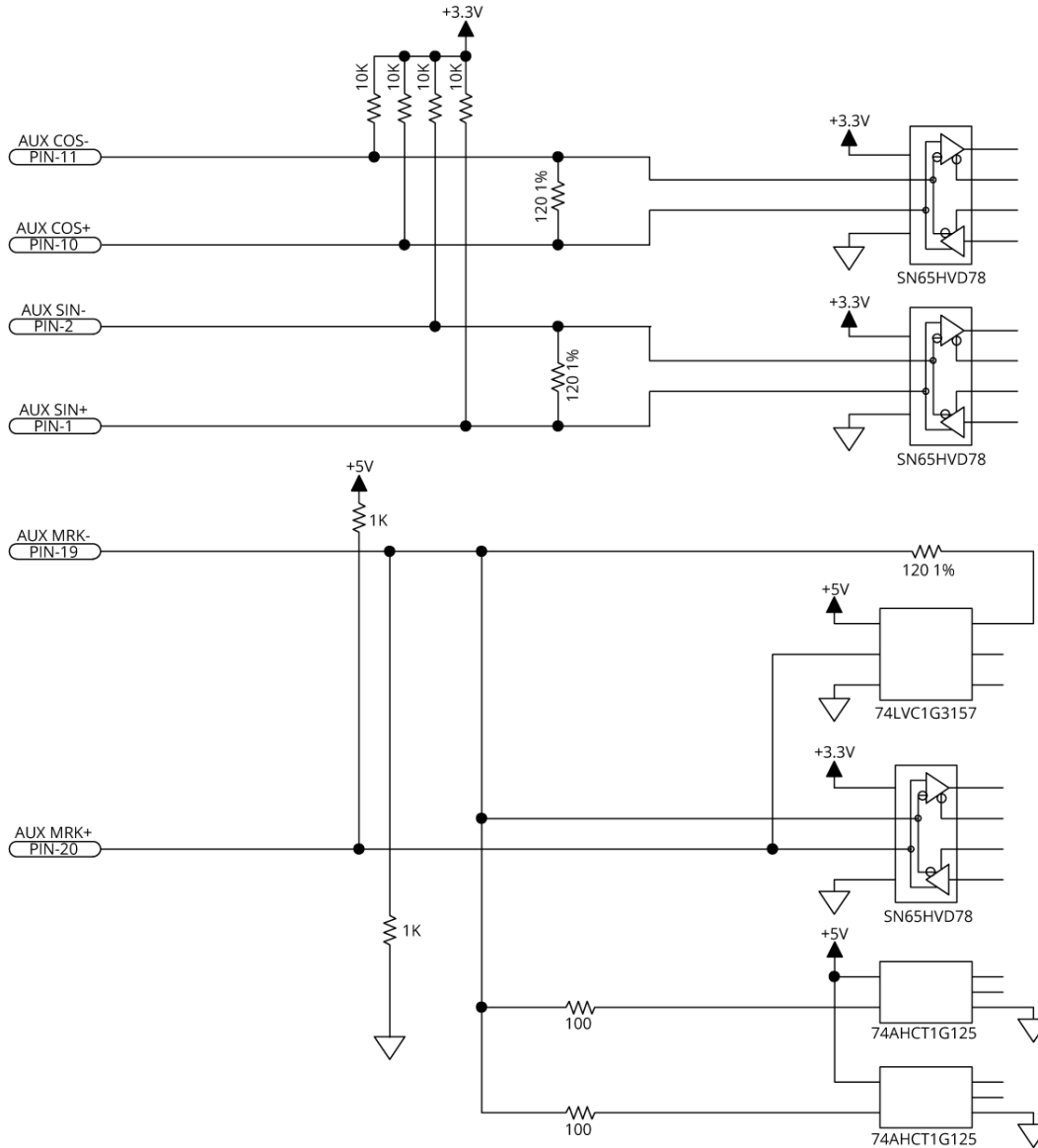


Figure 2-23: Square Wave Encoder Interface (Aux I/O Connector)

2.5.1.2. Absolute Encoder

The drive retrieves absolute position data along with encoder fault information through a serial data stream from the absolute encoder. Use twisted-pair wiring for the highest performance and noise immunity. You cannot use an absolute encoder with incremental signals on the Auxiliary I/O Connector.

Refer to [Figure 2-24](#) for the serial data stream interface.

Refer to the Help file for information on how to set up your EnDat or BiSS absolute encoder parameters.

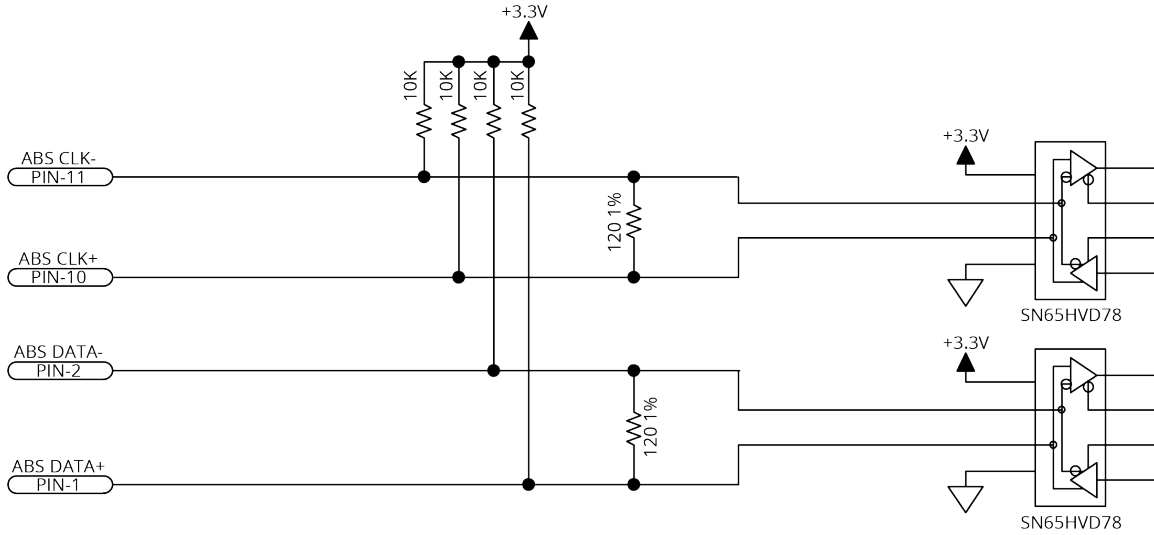


Figure 2-24: Absolute Encoder Schematic (Auxiliary I/O Connector)

2.5.1.3. Sine Wave Encoder [-MX3 Option]

The Sine Wave Encoder option provides higher positioning resolution by subdividing the fundamental output period of the encoder into smaller increments. The amount of subdivision is specified by the AuxiliaryEncoderMultiplicationFactor parameter. Use Encoder Tuning to adjust the value of the gain, offset, and phase balance controller parameters to get the best performance. For more information, refer to the Help file.

You cannot use the sine wave encoder on the auxiliary connector with the -MX3 multiplier option as an input to the PSO. The -MX3 option does not generate emulated quadrature signals from the auxiliary connector.

For the highest performance, use twisted pair double-shielded cable with the inner shield connected to signal common and the outer shield connected to frame ground. Do not join the inner and outer shields in the cable.

Table 2-34: Sine Wave Encoder Specifications

Specification	Value	
	Primary	Auxiliary
Input Frequency (max)	450 kHz, 2 MHz	450 kHz
Input Amplitude ⁽¹⁾	0.6 to 1.75 Vpk-pk	
Interpolation Factor (max)	-MX2	65,536
	-MX3	65,536
-MX2/-MX3 Primary Encoder Channel Interpolation Latency	800 nsec (analog input to quadrature output)	
Input Common Mode	1.5 to 3.5 VDC	

(1) Measured as SIN(+) - SIN(-) or COS(+) - COS(-)

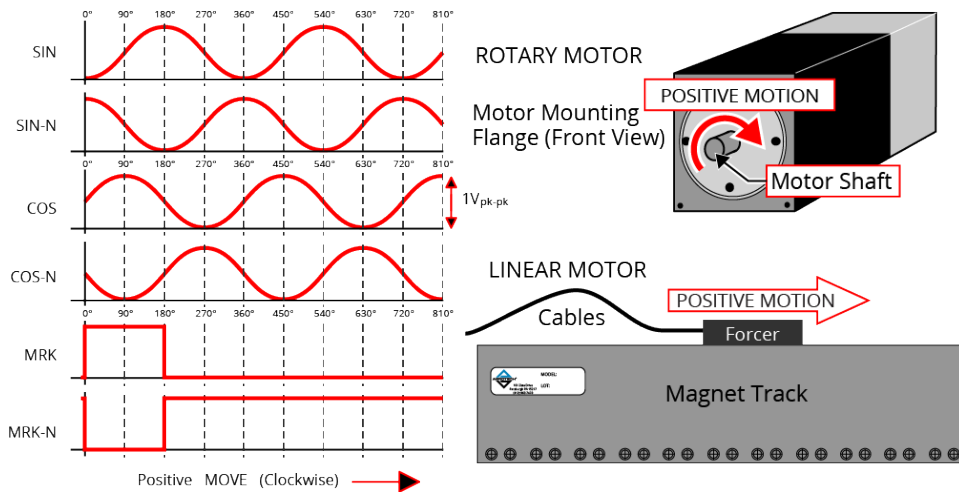


Figure 2-25: Sine Wave Encoder Phasing Reference Diagram

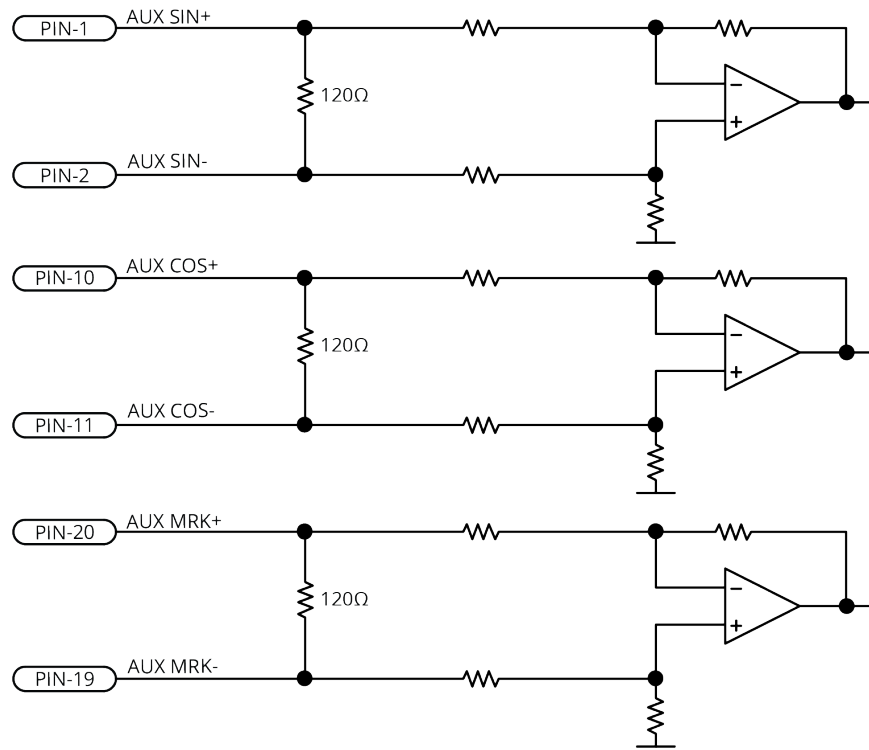


Figure 2-26: Sine Wave Encoder Schematic (Auxiliary I/O Connector)

2.5.2. Position Synchronized Output (PSO)

The PSO signal is available on the dual-function AUX Marker/PSO signal lines. Use the PSO pulse external sync functions to configure the auxiliary marker as an output. Refer to the Help file for more information.

Use the `PsoOutputConfigureOutput()` function to transmit the PSO output signal on the Marker \pm pins differentially. Or, use the `PsoOutputConfigureOutput()` function to configure the Marker - pin as a 5V TTL PSO output.

The differential signal format is recommended when using long cable lengths in noisy environments or when high frequency pulse transmission is required. It is best to locate the line receiver close to the receiving electronics. A 5 V TTL signal is used to drive an opto coupler or general purpose TTL input. This signal is active high and is driven to 5 V when a PSO fire event occurs. When the drive is reset or after initial power up, the PSO pins (refer to [Table 2-36](#)), are not actively driven and the fail safe state is defined by pull-up and pull-down resistors as shown in [Figure 2-27](#).

The -EB1 I/O option board has additional PSO signal formats. Refer to [Section 3.5](#) for more information.

Table 2-35: PSO Specifications

Specification		Value
Output	TTL	5 V, 16 mA (max)
Maximum PSO Output (Fire) Frequency	TTL	12.5 MHz
	RS-422	12.5 MHz
Output Latency [Fire event to output change]	TTL	15 ns
	RS-422	15 ns

Table 2-36: PSO Pins on the Auxiliary I/O Connector

Pin#	Description	In/Out/Bi
19	Auxiliary Marker- / PSO output / TTL Output	Bidirectional
20	Auxiliary Marker+ / PSO output	Bidirectional
21	Common	N/A

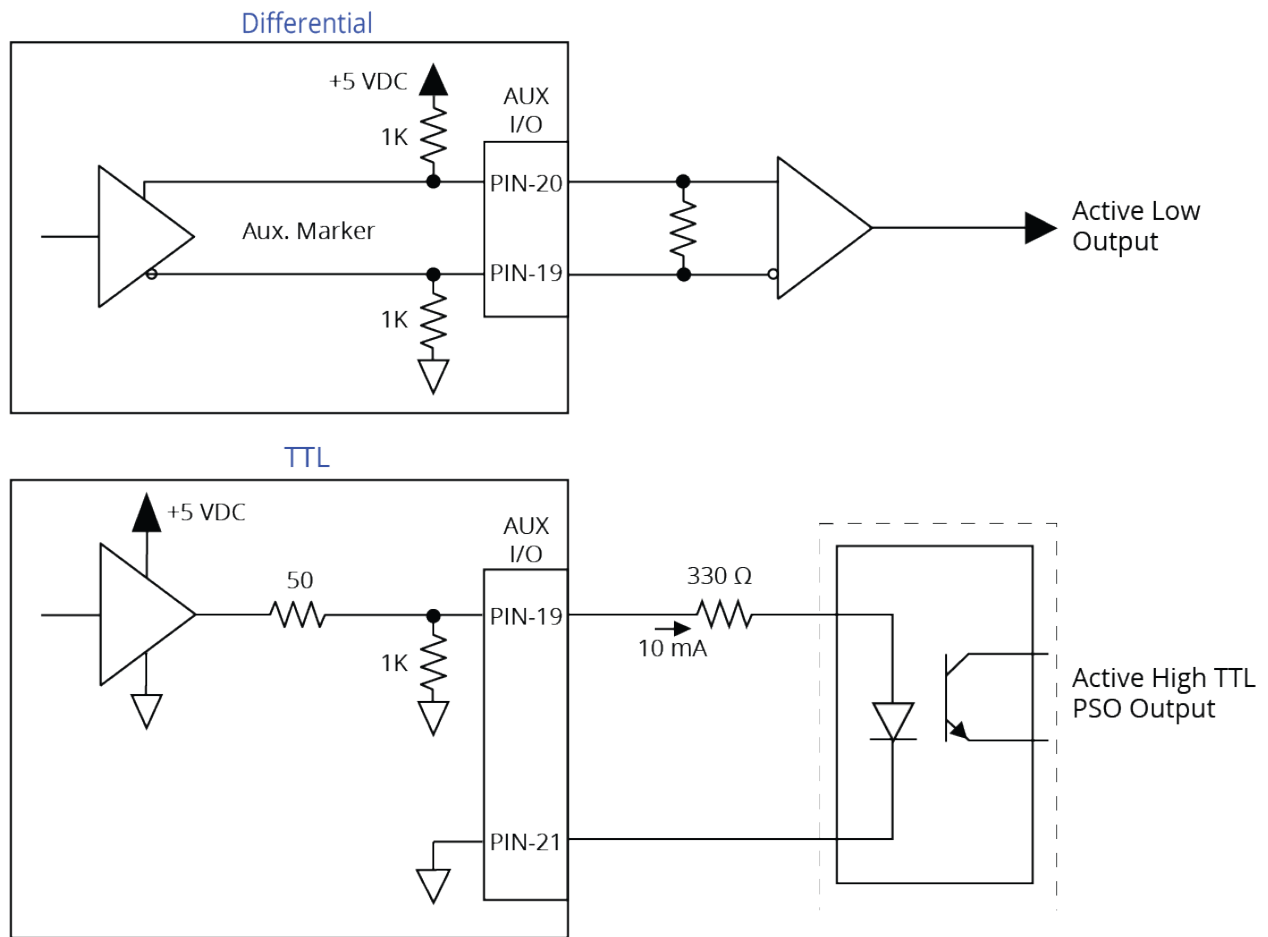


Figure 2-27: PSO Interface

2.5.3. Digital Outputs

Optically-isolated solid-state relays drive the digital outputs. You can connect the digital outputs in current sourcing or current sinking mode but you must connect all four outputs in the same configuration. Refer to [Figure 2-29](#) and [Figure 2-30](#).

You must install suppression diodes on digital outputs that drive relays or other inductive devices. To see an example of a current sourcing output that has diode suppression, refer to [Figure 2-29](#). To see an example of a current sinking output that has diode suppression, refer to [Figure 2-30](#)

The digital outputs are not designed for high-voltage isolation applications and they should only be used with ground-referenced circuits.

The digital outputs have overload protection. They will resume normal operation when the overload is removed.

Table 2-37: Digital Output Specifications

Digital Output Specifications	Value
Maximum Voltage	24 V (26 V Maximum)
Maximum Sink/Source Current	250 mA/output
Output Saturation Voltage	0.9 V at maximum current
Output Resistance	3.7 Ω
Rise / Fall Time	250 μ s (2K pull up to 24V)
Reset State	Output Off (High Impedance State)

Table 2-38: Digital Output Pins on the Auxiliary I/O Connector

Pin#	Description	In/Out/Bi
7	Digital Output 0	Output
8	Digital Output 1	Output
9	Digital Output 2	Output
15	Digital Output Common	N/A
16	Digital Output 3	Output

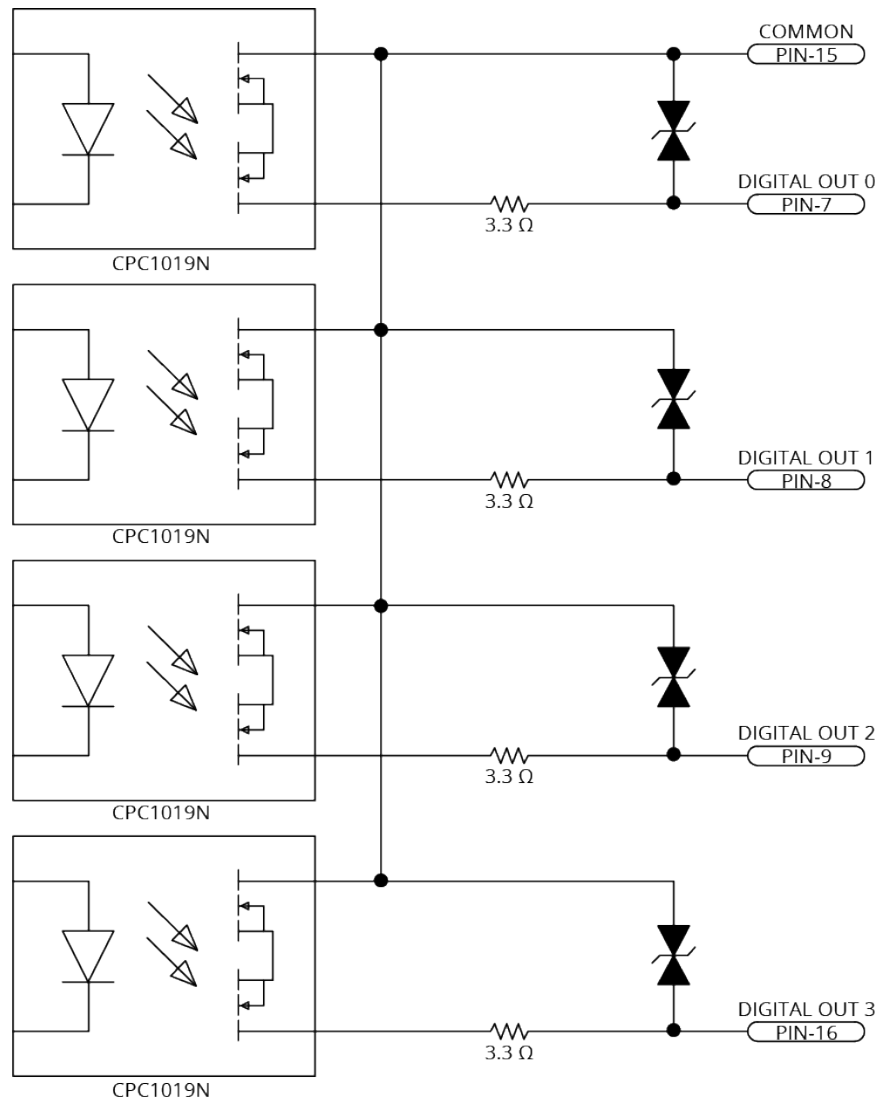
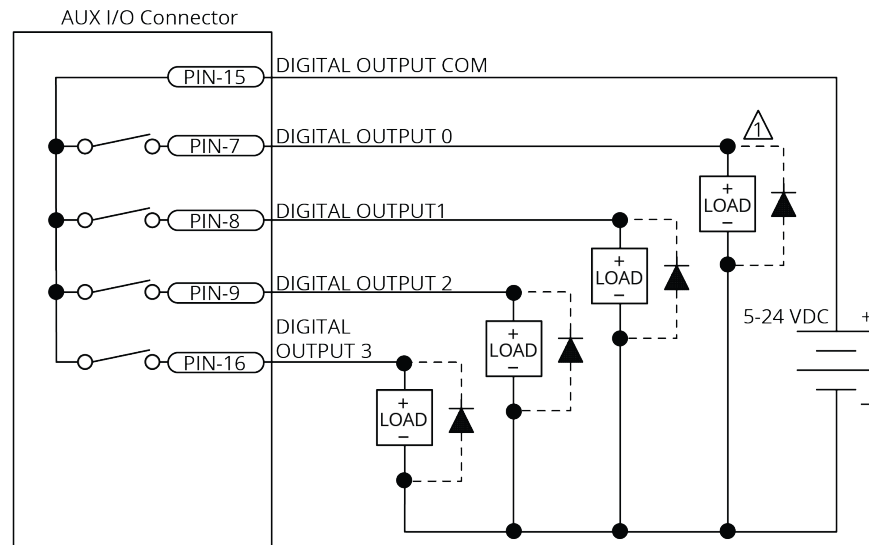
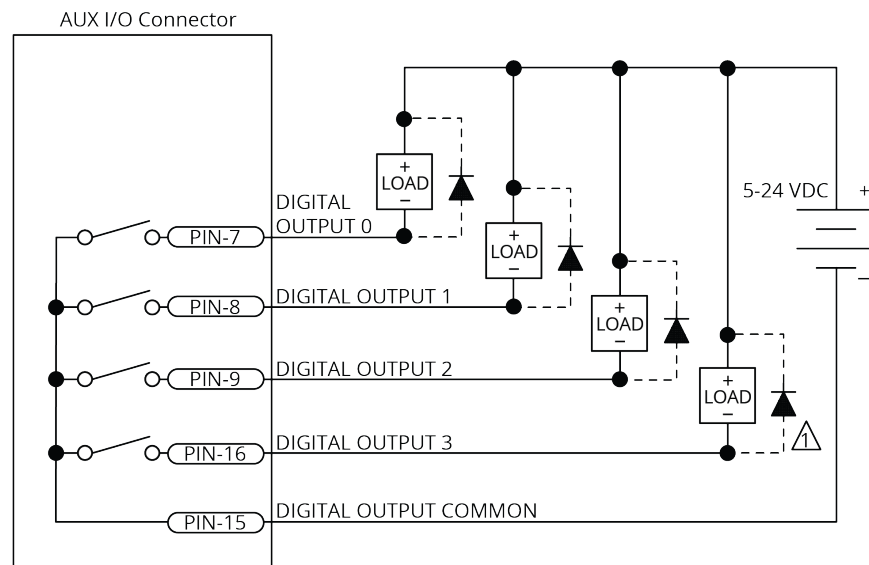


Figure 2-28: Digital Output Schematic (Aux I/O Connector)



DIODE REQUIRED ON EACH OUTPUT THAT DRIVES AN INDUCTIVE DEVICE (COIL), SUCH AS A RELAY.

Figure 2-29: Digital Outputs Connected in Current Sourcing Mode



DIODE REQUIRED ON EACH OUTPUT THAT DRIVES AN INDUCTIVE DEVICE (COIL), SUCH AS A RELAY.

Figure 2-30: Digital Outputs Connected in Current Sinking Mode

2.5.4. Digital Inputs

You can connect the digital inputs to current sourcing or current sinking devices but you must connect all four inputs in the same configuration. Refer to [Figure 2-31](#) and [Figure 2-32](#). The digital inputs are not designed for high-voltage isolation applications. They should only be used with ground-referenced circuits.

Table 2-39: Digital Input Specifications

Input Voltage	Approximate Input Current	Turn On Time	Turn Off Time
+5 V to +24 V	6 mA	10 μ s	43 μ s

Table 2-40: Digital Input Pins on the Auxiliary I/O Connector

Pin#	Description	In/Out/Bi
17	Digital Input 0 / CCW EOT Input ⁽¹⁾	Input
18	Digital Input 1 / CW EOT Input ⁽¹⁾	Input
24	Digital Input Common	N/A
25	Digital Input 2 / Home Input ⁽¹⁾	Input
26	Digital Input 3	Input

(1) Software configured option

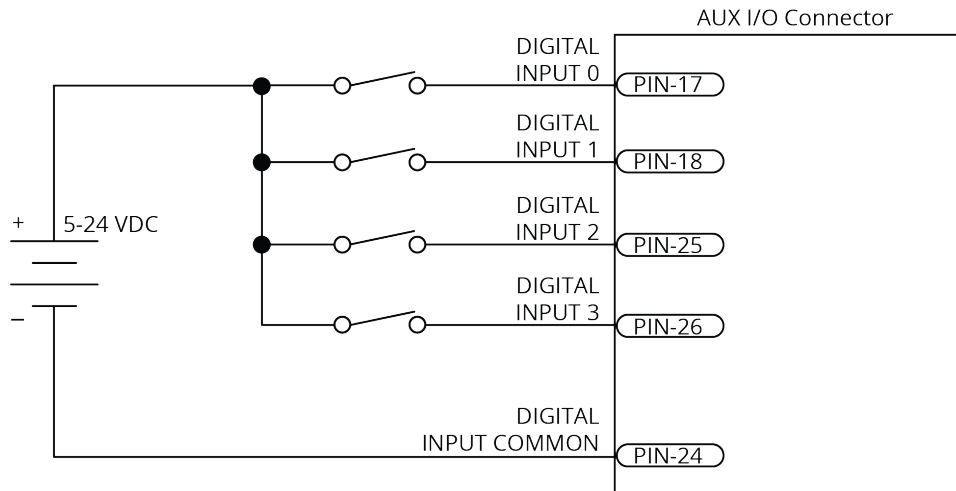


Figure 2-31: Digital Inputs Connected to Current Sourcing Devices

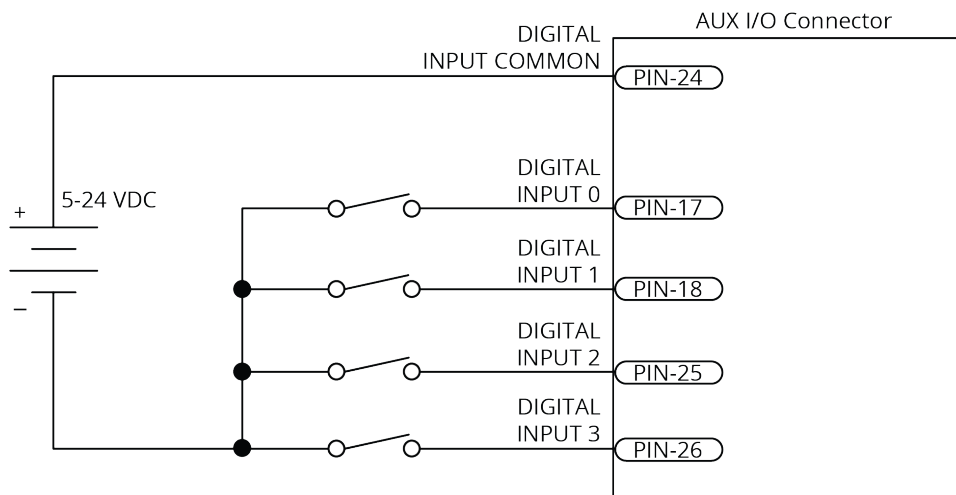


Figure 2-32: Digital Inputs Connected to Current Sinking Devices

2.5.5. High-Speed Inputs

High-speed inputs 20 and 21 can be used as general purpose inputs or as the trigger signal for high speed data collection. Refer to the DriveDataCaptureConfigureTrigger() function topic in the Help file for more information.

You can use the external PSO synchronization functions to synchronize waveform generation with an external synchronization signal. When you activate this feature, the PSO Waveform module will not generate the configured waveform when an output event is received until the rising edge of the synchronization signal occurs.

Table 2-41: High-Speed Input Specifications

Specification	Value
Input Voltage	5V - 24 V input voltages
Input Current	10 mA
Input Device	HCPL-0630
Delay	50 nsec

Table 2-42: High-Speed Input Pins on the Auxiliary I/O Connector

Pin#	Description	In/Out/Bi
3	High-Speed Input 20 + / PSO External Sync. +	Input
4	High-Speed Input 20 - / PSO External Sync. -	Input
5	High-Speed Input 21 +	Input
6	High-Speed Input 21 -	Input

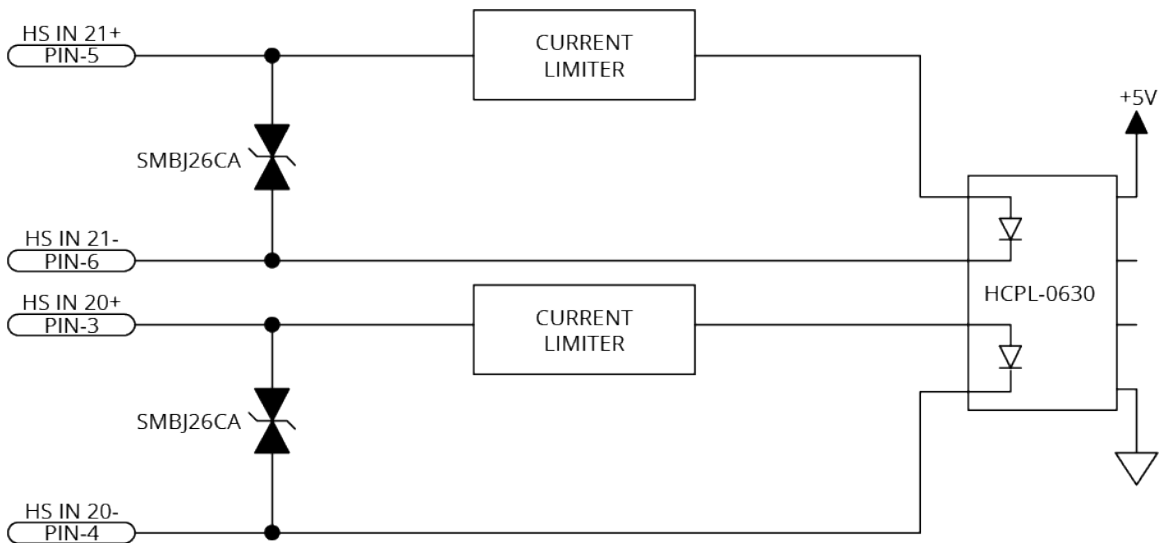


Figure 2-33: High-Speed Inputs

2.5.6. Analog Output 0

The analog output can be set from within a program or it can be configured to echo the state of select servo loop nodes.

The analog output is set to zero when you power on the system or reset the drive.

Table 2-43: Analog Output Specifications

Specification	Value
Output Voltage	-10 V to +10 V
Output Current	5 mA
Resolution (bits)	16 bits

Table 2-44: Analog Output Pins on the Auxiliary I/O Connector

Pin#	Description	In/Out/Bi
22	Analog Output 0	Output
23	Analog Common	N/A

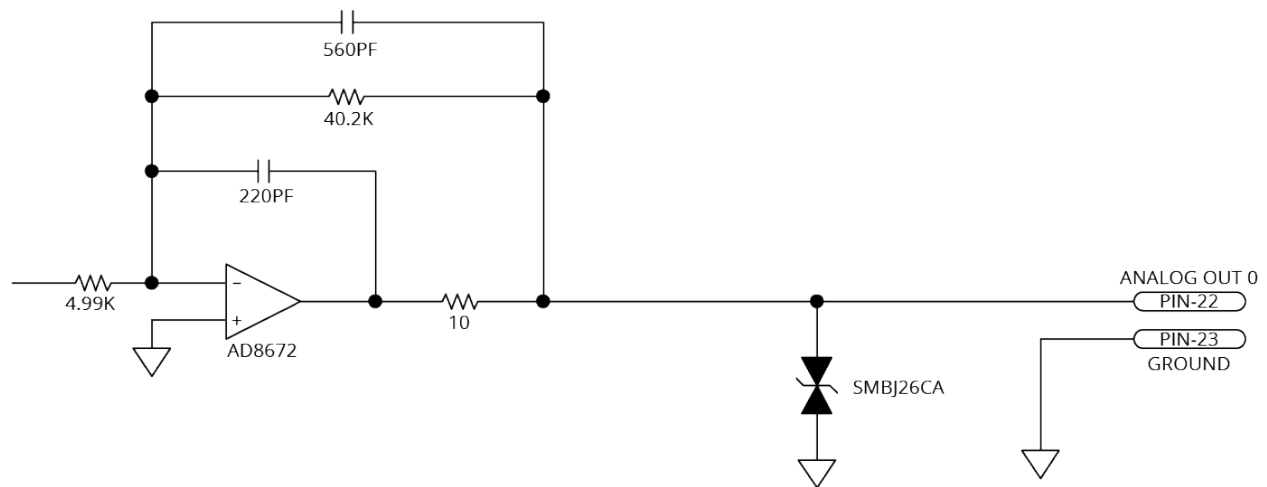


Figure 2-34: Analog Output 0 Schematic

2.5.7. Analog Input 0 (Differential)

To interface to a single-ended, non-differential voltage source, connect the signal common of the source to the negative input and connect the analog source signal to the positive input. A floating signal source must be referenced to the analog common. Refer to [Figure 2-35](#).

Table 2-45: Analog Input Specifications

Specification	Value
(AI+) - (AI-)	+10 V to -10 V ⁽¹⁾
Resolution (bits)	16 bits
Input Impedance	1 M Ω
1. Signals outside of this range may damage the input	

Table 2-46: Analog Input Pins on the Auxiliary I/O Connector

Pin#	Description	In/Out/Bi
13	Analog Input 0+ (Differential)	Input
14	Analog Input 0- (Differential)	Input
23	Analog Common	N/A

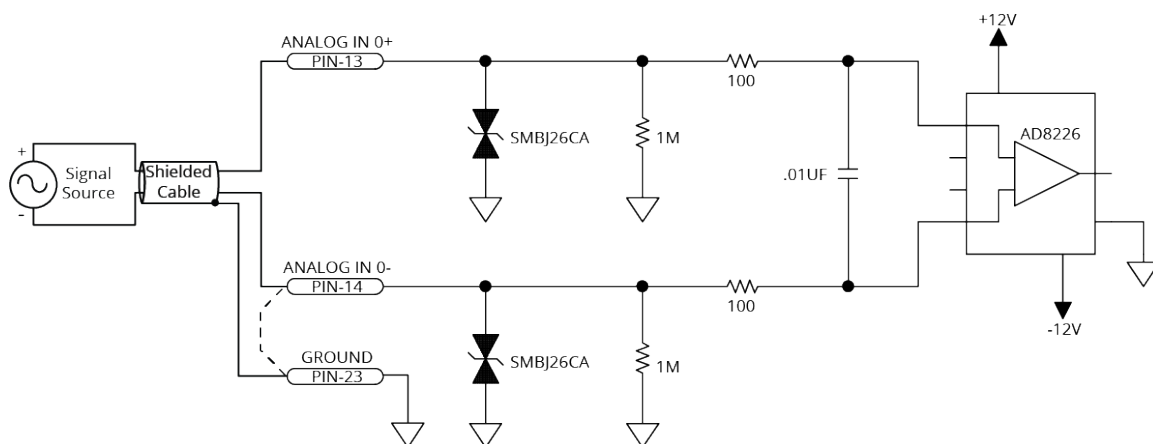


Figure 2-35: Analog Input 0 Schematic

2.6. Brake Power Supply Connector

This port is the power supply connection to the on-board brake control circuit. Refer to [Section 2.3.6](#) for more information about the brake output interface.

Table 2-47: Brake Power Supply Connector Pinout


Pin#	Description	In/Out/Bi	Connector
1	Brake Power Supply (+)	Input	
2	Brake Power Supply (-)	Input	

Table 2-48: Mating Connector Part Numbers for the Brake Power Supply Connector

Description	Aerotech P/N	Phoenix P/N	Tightening Torque (Nm)	Wire Size: AWG [mm ²]
2-Pin Terminal Block	ECK02390	1827616	0.22 - 0.25	0.14 - 1.5 [26-16]

2.7. HyperWire Interface

The HyperWire bus is the high-speed communications connection from the controller. It operates at 2 gigabits per second. The controller sends all command and configuration information through the HyperWire bus.

HyperWire cables can be safely connected to or disconnected from a HyperWire port while the PC and/or drive is powered on. However, any changes to the HyperWire network topology will disrupt communication and you must reset the controller to re-establish communication.



WARNING: Do not connect or disconnect HyperWire cables while you are loading firmware or damage to the drives may occur.

Table 2-49: HyperWire Card Part Number

Part Number	Description
HYPERWIRE-PCIE	HyperWire adapter, PCIe x4 interface

Table 2-50: HyperWire Cable Part Numbers

Part Number	Description
HYPERWIRE-AO10-5	HyperWire cable, active optical, 0.5 m
HYPERWIRE-AO10-10	HyperWire cable, active optical, 1.0 m
HYPERWIRE-AO10-30	HyperWire cable, active optical, 3.0 m
HYPERWIRE-AO10-50	HyperWire cable, active optical, 5.0 m
HYPERWIRE-AO10-200	HyperWire cable, active optical, 20.0 m

2.8. Shunt Options



DANGER: The shunt resistor dissipates a high quantity of power. To prevent the danger of electric shock or fire, you must obey the precautions that follow:

- Correctly size, mount, and protect the external shunt resistor.
- Protect the wiring to the internal shunt resistor terminals.
- Do not touch the shunt resistor terminals. There are lethal voltages on the terminals.
- Do not touch the surface of the drive or the external shunt resistor. The temperature can exceed 70°C.
- Restrict access to the shunt resistor while it is connected to a power source.

You have two shunt connection options: Internal and External. You cannot connect to both shunt options at the same time.

The DC Bus+ and DC Bus- connections provide access to the DC motor supply. The shunt and bus connections do not contain internal fuses. Refer to [Table 2-51](#) for the connector pinout.

The shunt resistor is used to dissipate excess energy and keep the internal drive voltage within safe levels. The drive will turn this resistor "ON" when the internal bus voltage reaches a specific range based off of the voltage option that was ordered (refer to the Turn-On Range in [Table 2-53](#)).

Internal Shunt Connections: Connect the Internal Shunt pin to the Shunt Return pin.

External Shunt Connections: Connect your shunt resistor between the External Shunt pin and the Shunt Return pin.

Table 2-51: Bus Link Connector Pinout

Pin	Description	Recommended Wire Size	Connector
A	DC Bus +	8.36 mm ² (#8 AWG)	
B	DC Bus -	8.36 mm ² (#8 AWG)	
C	External Shunt	1.5 mm ² (#16 AWG)	
D	Internal Shunt	1.5 mm ² (#16 AWG)	
E	Shunt Return	1.5 mm ² (#16 AWG)	

Table 2-52: Mating Connector Part Numbers for the Bus Link Connector

Description	Aerotech P/N	Phoenix P/N	Tightening Torque (N·m)	Wire Size: mm ² [AWG]
5-Pin Terminal Block	ECK02494	1784088	0.5 - 0.8	1.5-8.36 [16-8]

Table 2-53: Internal Shunt Specifications

Option	Description	Part Numbers Vishay/Dale [Aerotech]	Turn-On Range (VDC)	Turn-Off Range (VDC)
-240	50 Ω (min), 300 W; 4000 μF Effective Bus Capacitance	RBEF030050R00KFBVT [ECR01039]	380 - 395	360 - 370
-480	125 Ω (min), 300 W; 1500 μF Effective Bus Capacitance	RBEF0300125R0KFBV [ECR01045]	865 - 880	815 - 830

Table 2-54: Maximum Recommended Shunt Current

Peak Current Option	Value
-10	10 A
-20	10 A
-30	10 A
-50	20 A
-100	20 A

Equation 1:

Calculate the kinetic energy of the system. Any energy that is not lost to the system could be regenerated to the DC bus.

$$E_M = \left[\frac{1}{2} \right] [J_M + J_L] \omega_M^2 \quad \text{or} \quad E_M = \left[\frac{1}{2} \right] [M_M + M_L] v_M^2$$

(for rotary motors) (for linear motors)

- J_M rotor inertia (kg·m²)
- J_L load inertia (kg·m²)
- ω_m motor speed before deceleration (rad/s)
- M_M forcer mass (kg)
- M_L load mass (kg)
- v_m velocity (m/s)

Equation 2:

You will need a shunt resistor if the regenerated energy is greater than the Maximum Additional Storage Energy that the internal bus capacitor can store (Table 2-55).

$$E_{Ca} = \frac{1}{2} C (V_M^2 - V_{NOM}^2)$$

- C bus capacitor (F) [4,000 μF or 1500 μF]
- V_M turn on voltage for shunt circuit (V) [380 V or 865 V]
- V_{NOM} nominal bus voltage (V) [160 V or 320 V, Typical]
[320 V or 680 V, Typical]

Table 2-55: Maximum Additional Storage Energy for a Standard XC6e

Bus Voltage	Maximum Additional Energy
320 V	84 J
680 V	214 J

If a shunt resistor is required, calculate the value of resistance necessary to dissipate the energy.

Equations 3, 4, and 5:

Calculate the parameters of the shunt resistor.

Equation 3:

$$P_{PEAK} = \frac{E_M - E_{Ca}}{t_D}$$

- P_{PEAK} peak power that the regeneration circuit must accommodate (W)
- t_D deceleration time (s)

Equation 4:

$$P_{AV} = \frac{E_M - E_{Ca}}{t_{CYCLE}}$$

P_{AV} average power dissipated on shunt resistor (W)
 t_{CYCLE} time between deceleration events (s)

Equation 5:

$$R = \frac{(2V_M - V_{HYS})^2}{4P_{PEAK}}$$

V_{HYS} hysteresis voltage of regeneration circuit (V) [20 V or 40 V, Typical (refer to [Table 2-53](#))]

Additional useful equations:

1 lb·ft = 1.356 N·m

1 rad/s = 9.55 rpm

2.9. Sync Port

The Sync port is a bi-directional high speed proprietary interface that lets you transmit encoder signals between drives. This is typically used for multi-axis PSO applications where one or two drives send their encoder signals to a main drive that has the PSO logic and PSO output signal. The XC6e contains two Sync ports, labeled A and B.

To avoid signal contention, all Sync ports default to the input state during reset and immediately after power is applied to the drive.

Table 2-56: Sync-Related Functions

Function	Description
DriveEncoderOutputConfigureDivider(), DriveEncoderOutputConfigureInput(), DriveEncoderOutputOn(), DriveEncoderOutputOff()	Configure each Sync port as an input or an output
PsoDistanceConfigureInputs()	Let the PSO to track the SYNC A or SYNC B port.
PsoWindowConfigureInput()	

The Sync port uses low-voltage differential signaling (LVDS) and standard USB 3.0 type A (cross over) cables.

Table 2-57: Sync Port Cables

Part Number	Description
CBL-SYNC-3	Length 3 dm; Connectors: USB Type A to USB Type A
CBL-SYNC-5	Length 5 dm; Connectors: USB Type A to USB Type A
CBL-SYNC-7	Length 7 dm; Connectors: USB Type A to USB Type A
CBL-SYNC-10	Length 10 dm; Connectors: USB Type A to USB Type A

2.10. System Interconnection

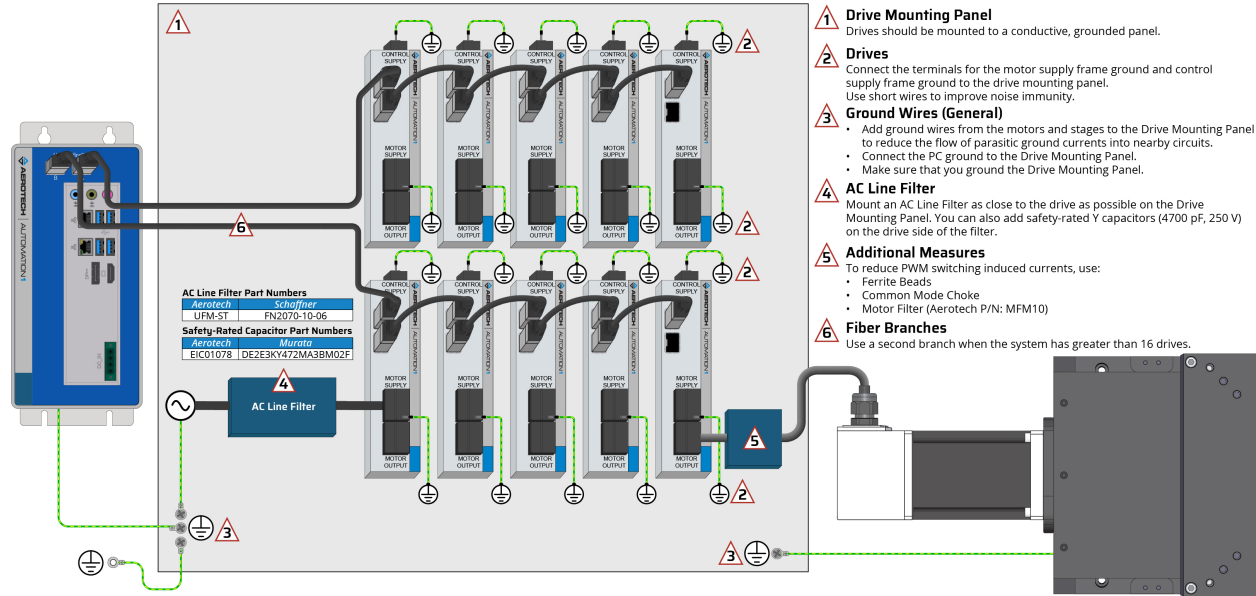


Figure 2-36: System Wiring Drawing (Best Practice)

2.11. PC Configuration and Operation Information

For more information about hardware requirements, PC configuration, programming, system operation, and utilities, refer to the Help file.

This page intentionally left blank.

Chapter 3: -EB1 I/O Option Board

The -EB1 I/O option board has 16 digital inputs, 16 digital outputs, 3 analog inputs, 3 analog outputs, and PSO outputs.

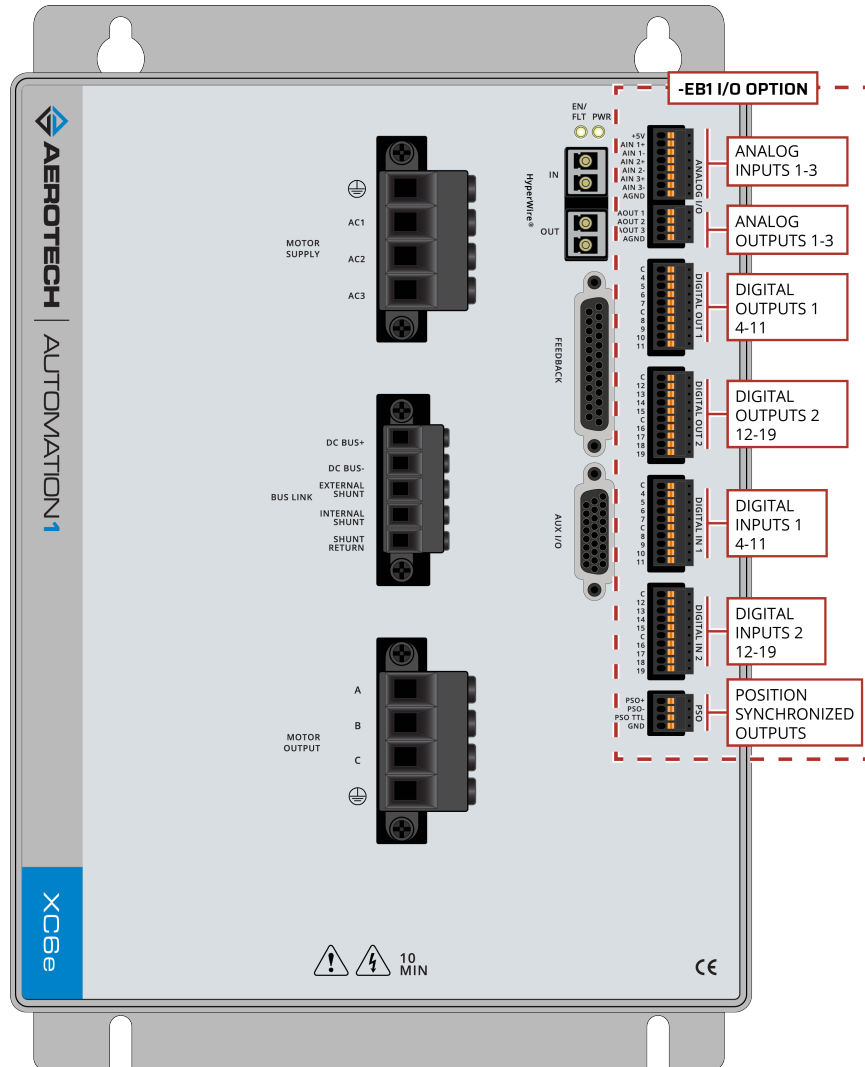


Figure 3-1: XC6e with -EB1 I/O Option Board Connectors

3.1. Digital Outputs [-EB1]

Optically-isolated solid-state relays drive the digital outputs. You can connect the digital outputs in current sourcing or current sinking mode but you must connect all four outputs in a port in the same configuration. Refer to [Figure 3-3](#) and [Figure 3-4](#).

The digital outputs are not designed for high-voltage isolation applications and they should only be used with ground-referenced circuits.

You must install suppression diodes on digital outputs that drive relays or other inductive devices. To see an example of a current sourcing output that has diode suppression, refer to [Figure 3-3](#). To see an example of a current sinking output that has diode suppression, refer to [Figure 3-4](#).

The digital outputs have overload protection. They will resume normal operation when the overload is removed.

Table 3-1: Digital Output Specifications [-EB1]

Digital Output Specifications	Value
Maximum Voltage	24 V (26 V Maximum)
Maximum Sink/Source Current	250 mA/output
Output Saturation Voltage	0.9 V at maximum current
Output Resistance	3.7 Ω
Rise / Fall Time	250 μ s (2K pull up to 24V)
Reset State	Output Off (High Impedance State)

Table 3-2: Digital Output 1 Connector Pinout [-EB1]

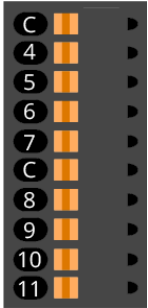
Pin#	Description	In/Out/Bi	Connector
1	Output Common for Outputs 4-7	N/A	
2	Output 4 (Optically-Isolated)	Output	
3	Output 5 (Optically-Isolated)	Output	
4	Output 6 (Optically-Isolated)	Output	
5	Output 7 (Optically-Isolated)	Output	
6	Output Common for Outputs 8-11	N/A	
7	Output 8 (Optically-Isolated)	Output	
8	Output 9 (Optically-Isolated)	Output	
9	Output 10 (Optically-Isolated)	Output	
10	Output 11 (Optically-Isolated)	Output	

Table 3-3: Mating Connector Part Numbers for the Digital Output 1 Connector [-EB1]

Mating Connector	Aerotech P/N	Third Party P/N	Wire Size: mm ² [AWG]
10-Pin Terminal Block	ECK02395	Phoenix 1700841	0.5 - 0.14 [20-26]

Table 3-4: Digital Output 2 Connector Pinout [-EB1]

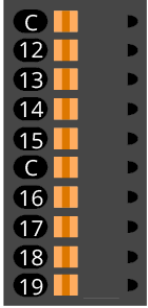
Pin#	Description	In/Out/Bi	Connector
1	Output Common for Outputs 12-15	N/A	
2	Output 12 (Optically-Isolated)	Output	
3	Output 13 (Optically-Isolated)	Output	
4	Output 14 (Optically-Isolated)	Output	
5	Output 15 (Optically-Isolated)	Output	
6	Output Common for Outputs 16-19	N/A	
7	Output 16 (Optically-Isolated)	Output	
8	Output 17 (Optically-Isolated)	Output	
9	Output 18 (Optically-Isolated)	Output	
10	Output 19 (Optically-Isolated)	Output	

Table 3-5: Mating Connector Part Numbers for the Digital Output 2 Connector [-EB1]

Mating Connector	Aerotech P/N	Third Party P/N	Wire Size: mm ² [AWG]
10-Pin Terminal Block	ECK02395	Phoenix 1700841	0.5 - 0.14 [20-26]

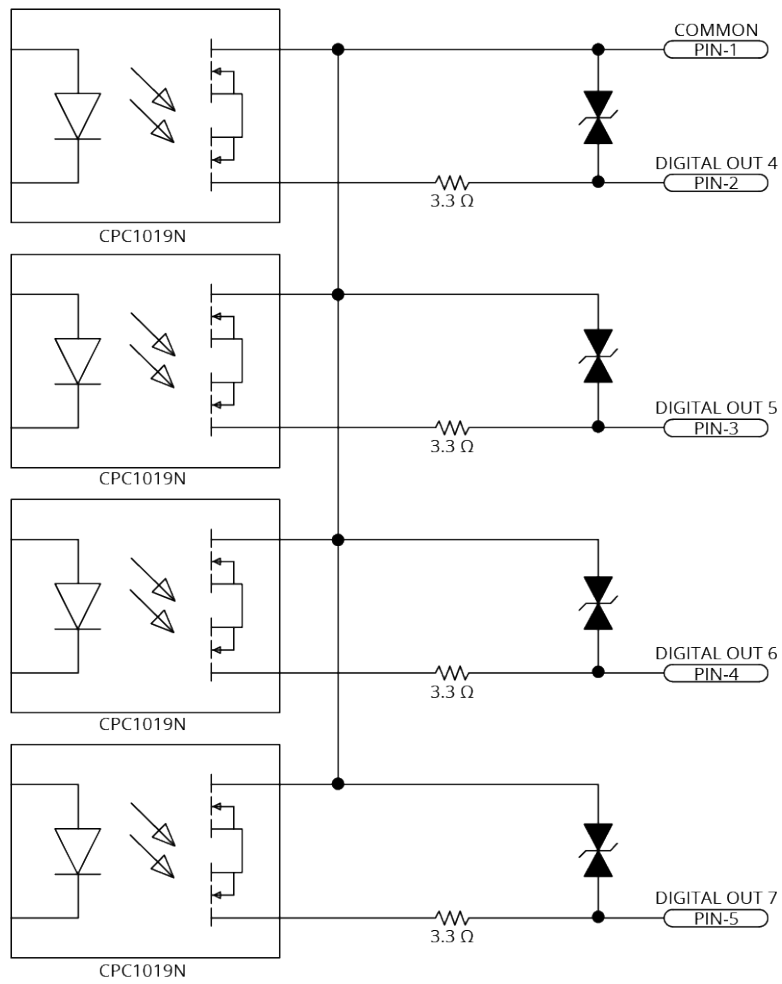
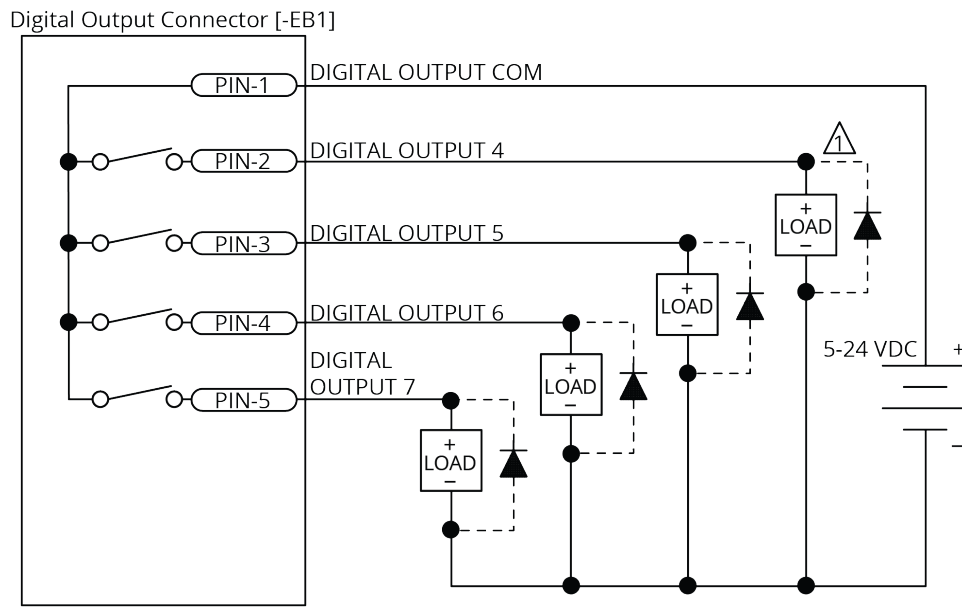
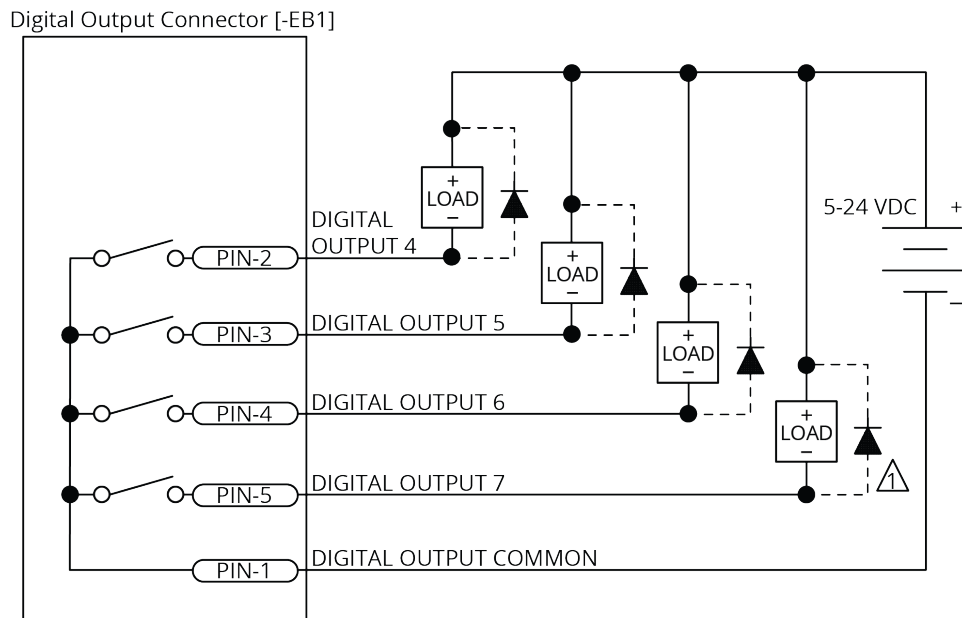


Figure 3-2: Digital Outputs Schematic [-EB1]



DIODE REQUIRED ON EACH OUTPUT THAT DRIVES AN INDUCTIVE DEVICE (COIL), SUCH AS A RELAY.

Figure 3-3: Digital Outputs Connected in Current Sourcing Mode [-EB1]



DIODE REQUIRED ON EACH OUTPUT THAT DRIVES AN INDUCTIVE DEVICE (COIL), SUCH AS A RELAY.

Figure 3-4: Digital Outputs Connected in Current Sinking Mode [-EB1]

3.2. Digital Inputs [-EB1]

Input bits are arranged in groups of 4 and each group shares a common pin. This lets a group be connected to current sourcing or current sinking devices, based on the connection of the common pin in that group.

To be able to connect an input group to current sourcing devices, connect the input group's common pin to the power supply return (-). Refer to [Figure 3-6](#).

To be able to connect an input group to current sinking devices, connect the input group's common pin to the power supply source (+). Refer to [Figure 3-7](#).

The digital inputs are not designed for high-voltage isolation applications. They should only be used with ground-referenced circuits.

Table 3-6: Digital Input Specifications [-EB1]

Input Voltage	Approximate Input Current	Turn On Time	Turn Off Time
+5 V to +24 V	6 mA	10 μ s	43 μ s

Table 3-7: Digital Input 1 Connector Pinout [-EB1]

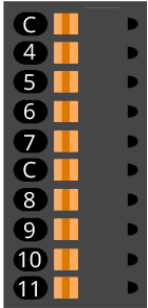
Pin#	Description	In/Out/Bi	Connector
1	Input Common for Inputs 4-7	N/A	
2	Input 4 (Optically-Isolated)	Input	
3	Input 5 (Optically-Isolated)	Input	
4	Input 6 (Optically-Isolated)	Input	
5	Input 7 (Optically-Isolated)	Input	
6	Input Common for Inputs 8-11	N/A	
7	Input 8 (Optically-Isolated)	Input	
8	Input 9 (Optically-Isolated)	Input	
9	Input 10 (Optically-Isolated)	Input	
10	Input 11 (Optically-Isolated)	Input	
11			

Table 3-8: Mating Connector Part Numbers for the Digital Input 1 Connector [-EB1]

Mating Connector	Aerotech P/N	Third Party P/N	Wire Size: mm ² [AWG]
10-Pin Terminal Block	ECK02395	Phoenix 1700841	0.5 - 0.14 [20-26]

Table 3-9: Digital Input 2 Connector Pinout [-EB1]

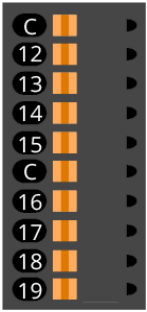
Pin#	Description	In/Out/Bi	Connector
1	Input Common for Inputs 12-15	N/A	
2	Input 12 (Optically-Isolated)	Input	
3	Input 13 (Optically-Isolated)	Input	
4	Input 14 (Optically-Isolated)	Input	
5	Input 15 (Optically-Isolated)	Input	
6	Input Common for Inputs 16-19	N/A	
7	Input 16 (Optically-Isolated)	Input	
8	Input 17 (Optically-Isolated)	Input	
9	Input 18 (Optically-Isolated)	Input	
10	Input 19 (Optically-Isolated)	Input	

Table 3-10: Mating Connector Part Numbers for the Digital Input 2 Connector [-EB1]

Mating Connector	Aerotech P/N	Third Party P/N	Wire Size: mm ² [AWG]
10-Pin Terminal Block	ECK02395	Phoenix 1700841	0.5 - 0.14 [20-26]

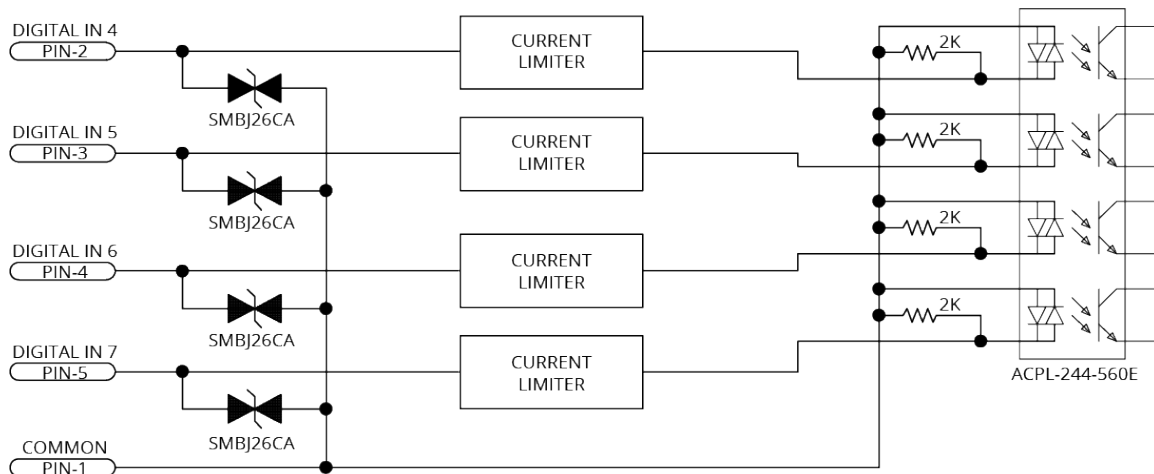


Figure 3-5: Digital Inputs Schematic [-EB1]



IMPORTANT: Each bank of four inputs must be connected in an all sourcing or all sinking configuration.

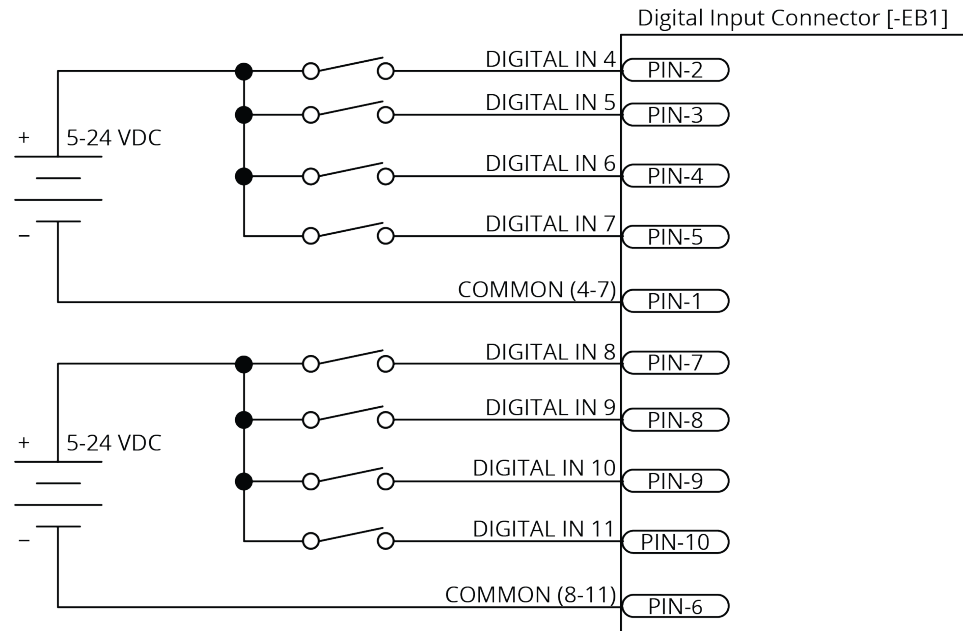


Figure 3-6: Digital Inputs Connected to Current Sourcing (PNP) Devices [-EB1]

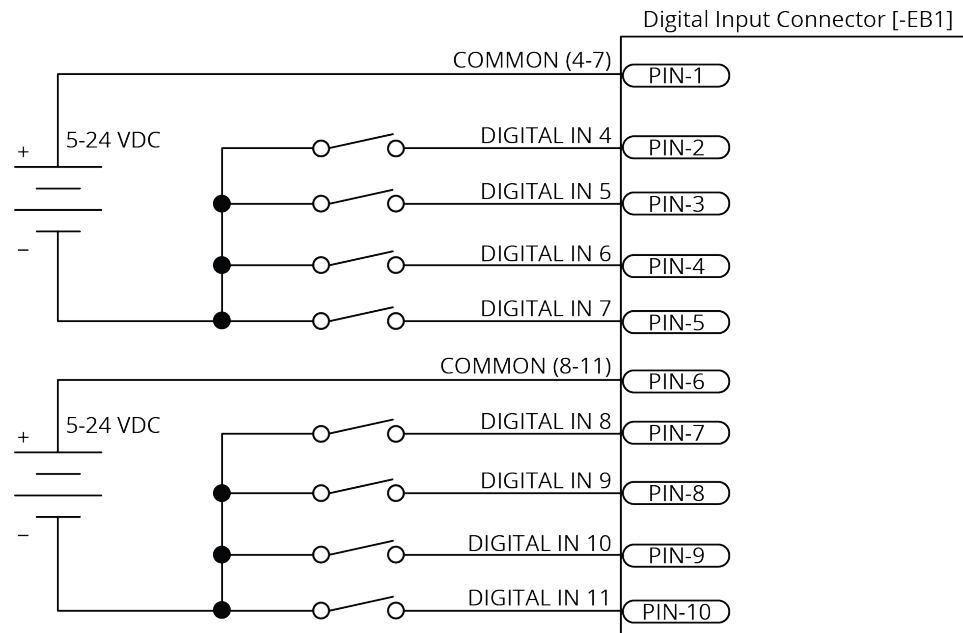


Figure 3-7: Digital Inputs Connected to Current Sinking (NPN) Devices [-EB1]

3.3. Analog Outputs [-EB1]

The analog outputs can be set from within a program or they can be configured to echo the state of select servo loop nodes.

The analog outputs are set to zero when you power on the system or reset the drive.

Table 3-11: Analog Output Specifications [-EB1]

Specification	Value
Output Voltage	-10 V to +10 V
Output Current	5 mA
Resolution (bits)	16 bits

Table 3-12: Analog Output Connector Pinout [-EB1]


Pin #	Description	In/Out/Bi	Connector
1	Analog Output 1	Output	
2	Analog Output 2	Output	
3	Analog Output 3	Output	
4	Ground	N/A	

Table 3-13: Mating Connector Part Numbers for the Analog Output Connector [-EB1]

Type	Aerotech P/N	Third Party P/N	Wire Size: mm ² [AWG]
4-Pin Terminal Block	ECK02399	Phoenix 1768004	0.5- 0.14 [20-26]

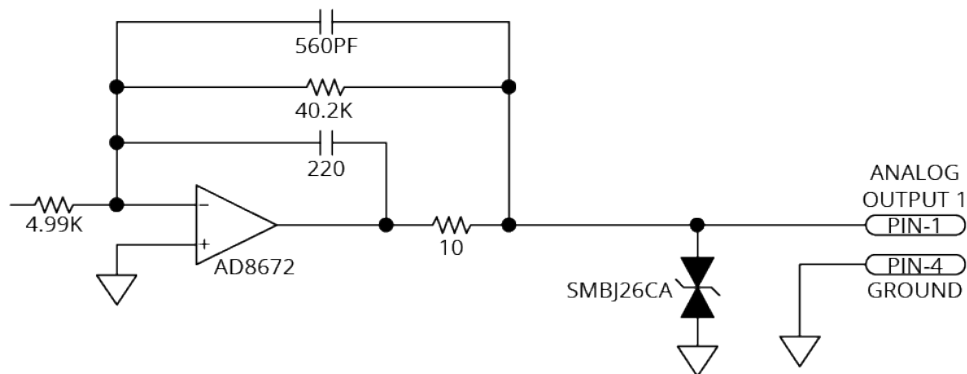


Figure 3-8: Analog Output Typical Connection [-EB1]

3.4. Analog Inputs [-EB1]

To interface to a single-ended, non-differential voltage source, connect the signal common of the source to the negative input and connect the analog source signal to the positive input. A floating signal source must be referenced to the analog common. Refer to [Figure 3-9](#).

Table 3-14: Differential Analog Input Specifications [-EB1]

Specification	Value
(AI+) - (AI-)	+10 V to -10 V ⁽¹⁾
Resolution (bits)	16 bits
Input Impedance	1 MΩ
1. Signals outside of this range may damage the input	

Table 3-15: Analog Input Connector Pinout [-EB1]

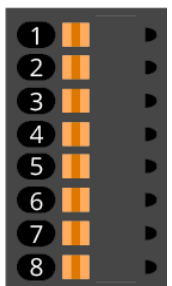
Pin#	Description	In/Out/Bi	Connector
1	+5V (250 mA max)	N/A	
2	Analog Input 1+	Input	
3	Analog Input 1-	Input	
4	Analog Input 2+	Input	
5	Analog Input 2-	Input	
6	Analog Input 3+	Input	
7	Analog Input 3-	Input	
8	Ground	N/A	

Table 3-16: Mating Connector Part Numbers for the Analog Input Connector [-EB1]

Mating Connector	Aerotech P/N	Third Party P/N	Wire Size: mm ² [AWG]
8-Pin Terminal Block	ECK02397	Phoenix 1908101	0.5 - 0.14 [20-26]

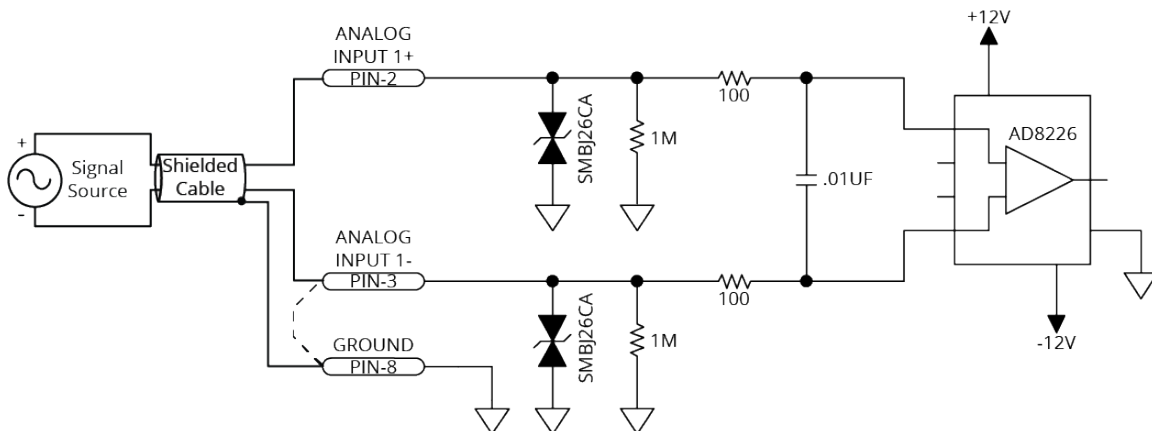


Figure 3-9: Analog Input Typical Connection [-EB1]

3.5. Position Synchronized Output Interface [-EB1]

The PSO output signal is available on the -EB1 option board in two signal formats: TTL and Isolated.

Table 3-17: PSO Specifications [-EB1]

Specification		Value
Output	TTL	5 V, 16 mA (max)
	Isolated	5-24 V, 250 mA
Maximum PSO Output (Fire) Frequency	TTL	12.5 MHz
	Isolated	5 MHz
Output Latency [Fire event to output change]	TTL	5 ns
	Isolated	150 ns

Table 3-18: PSO Interface Connector Pinout [-EB1]

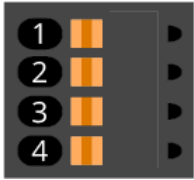
Pin #	Description	In/Out/Bi	Connector
1	PSO Output+	Output	
2	PSO Output-	Output	
3	PSO Output (TTL)	Output	
4	Ground	N/A	

Table 3-19: Mating Connector Part Numbers for the PSO Interface Connector [-EB1]

Type	Aerotech P/N	Third Party P/N	Wire Size: mm ² [AWG]
4-Pin Terminal Block	ECK02399	Phoenix 1768004	0.5- 0.14 [20-26]

Isolated Signals

This output signal is a fully-isolated 5-24V compatible output capable of sourcing or sinking current. This output is normally open and only conducts current when a PSO fire event occurs.

The PSO Isolated Outputs are overload protected and will turn off if the maximum output current is exceeded.

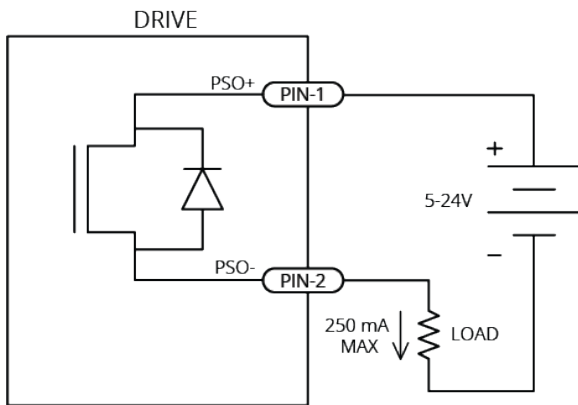


Figure 3-10: PSO Output Sources Current

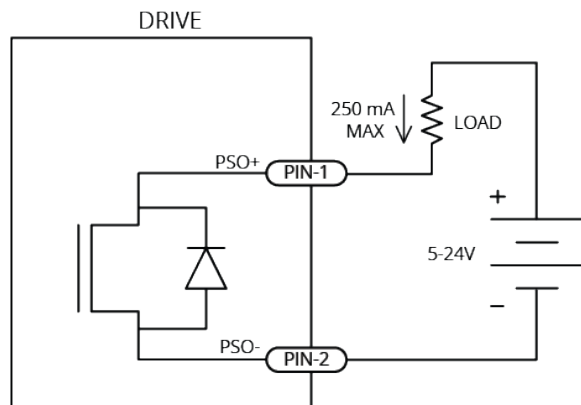


Figure 3-11: PSO Output Sinks Current

TTL Signals

This output signal is a 5V TTL signal which is used to drive an opto coupler or general purpose TTL input. This signal is active high and is driven to 5V when a PSO fire event occurs.

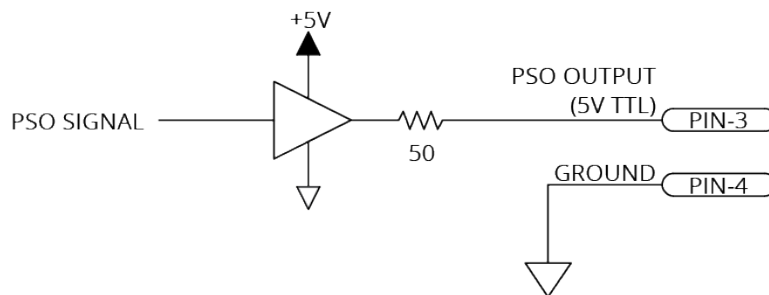


Figure 3-12: PSO TTL Outputs Schematic

Chapter 4: Cables and Accessories



IMPORTANT: Find Aerotech cable drawings on the website at <http://www.aerotechmotioncontrol.com/manuals/index.aspx>.

Table 4-1: Standard Interconnection Cables

Cable Part #	Description
Joystick	Refer to Section 4.1 .
ECZ01231	BBA32 Interconnect Cable

4.1. Joystick Interface

Aerotech Multi-Axis Joystick (NEMA12 (IP54) rated) is powered from 5 V and has a nominal 2.5 V output in the center detent position. Three buttons are used to select axis pairs and speed ranges. An optional interlock signal is used to indicate to the controller that the joystick is present. Joystick control will not activate unless the joystick is in the center location. Third party devices can be used provided they produce a symmetric output voltage within the range of -10 V to +10 V.

Connecting joystick with an Aerotech cable, all Aerotech cables are labeled to identify the connector and connections. The joystick parameters must be set to match the analog and digital I/O connections.

The following drawings illustrate how to connect a single- or two-axis joystick. Refer to the Help file for programming information about how to change joystick parameters.

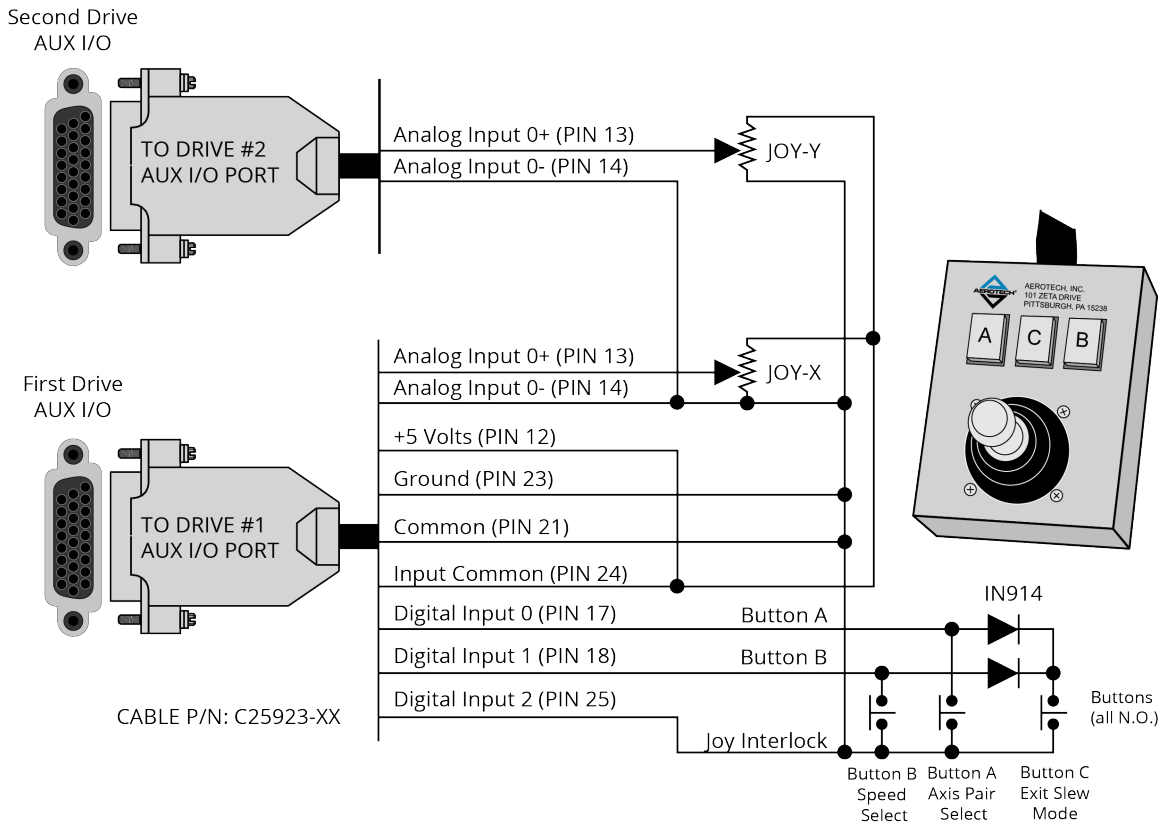


Figure 4-1: Two Axis Joystick Interface (to the Aux I/O of two drives)

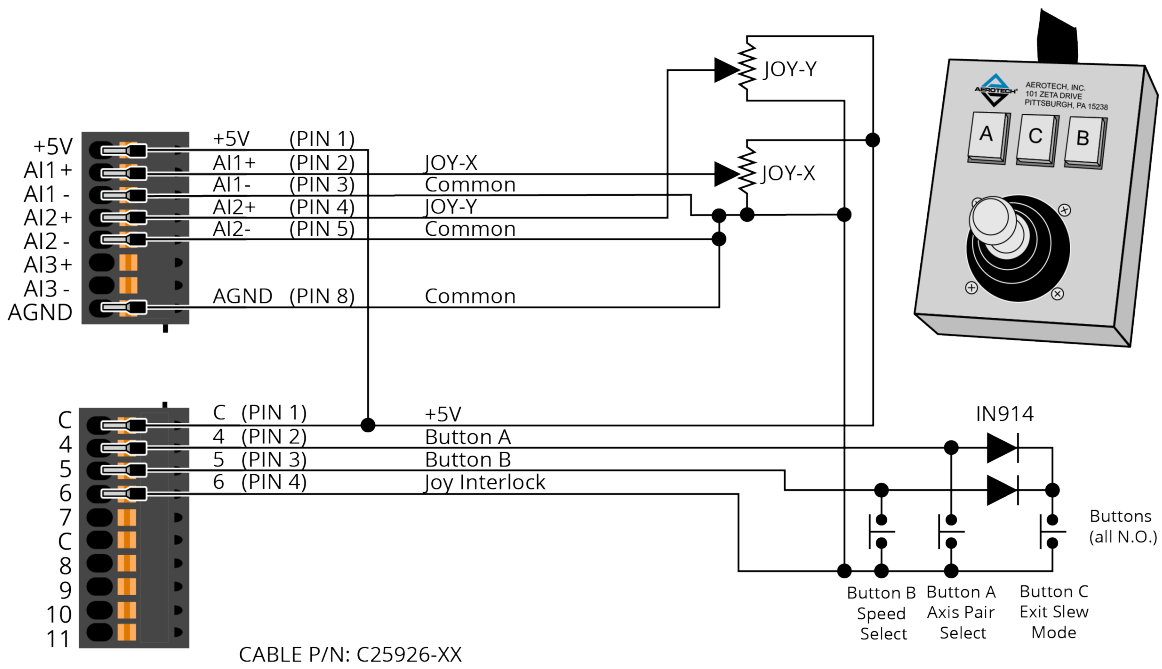


Figure 4-2: Two Axis Joystick Interface (to the I/O board)

4.2. Handwheel Interface

A handwheel can be used to manually control axis position. The handwheel must provide 5V differential quadrature signals to the drive.



IMPORTANT: You can find instructions on how to enable the handwheel in the Help file.

Connect a handwheel to the Aux I/O as shown in [Figure 4-3](#) or [Figure 4-4](#).

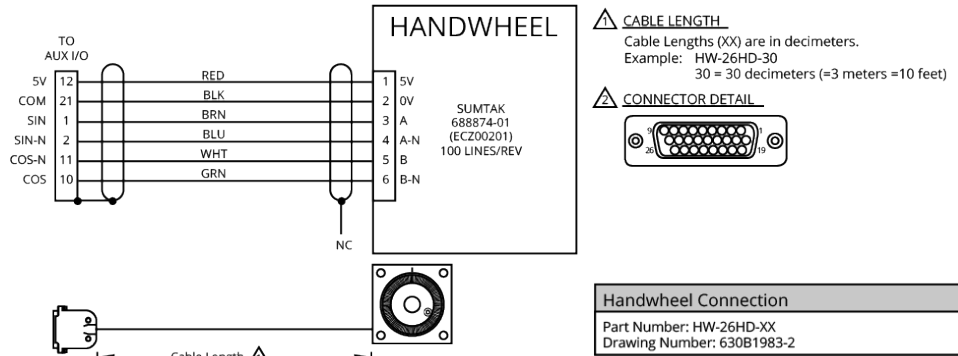


Figure 4-3: Handwheel Interconnection to Aux I/O Connector

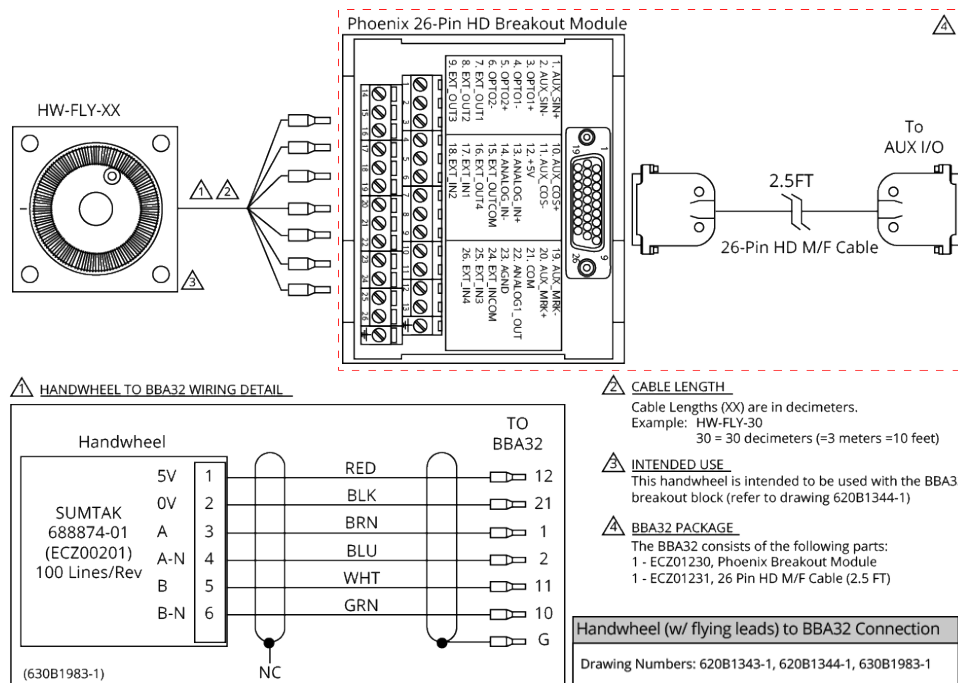


Figure 4-4: Handwheel Interconnection to the Aux I/O through a BBA32 Module

Chapter 5: Maintenance



IMPORTANT: For your own safety and for the safety of the equipment:

- Do not remove the cover of the XC6e.
- Do not attempt to access the internal components.

A fuse that needs to be replaced indicates that there is a more serious problem with the system or setup. Contact Global Technical Support for assistance.



DANGER: If you must remove the covers and access any internal components be aware of the risk of electric shock.

1. Disconnect the Mains power connection.
2. Wait at least ten (10) minutes after removing the power supply before doing maintenance or an inspection. Otherwise, there is the danger of electric shock.
3. All tests must be done by an approved service technician. Voltages inside the controller and at the input and output power connections can kill you.

Table 5-1: LED Description

LED	Color	Description
PWR	GREEN	The light will illuminate and remain illuminated while power is applied.
EN/FLT	GREEN	The axis is Enabled.
	RED	The axis is in a Fault Condition.
	GREEN/RED (alternates)	The axis is Enabled in a Fault Condition. or The light is configured to blink for setup.

Table 5-2: Troubleshooting

Symptom	Possible Cause and Solution
No Communication	Make sure the power LED is illuminated (this indicates that power is present).
	Make sure that all communication cables (HyperWire, for example) are fully inserted in their ports.

5.1. Preventative Maintenance

Do an inspection of the XC6e and the external wiring one time each month. It might be necessary to do more frequent inspections based on:

- The operating conditions of the system.
- How you use the system.

Table 5-3: Preventative Maintenance

Check	Action to be Taken
Examine the chassis for hardware and parts that are damaged or loose. It is not necessary to do an internal inspection unless you think internal damage occurred.	Repair all damaged parts.
Do an inspection of the cooling vents.	Remove all material that collected in the vents.
Examine the work area to make sure there are no fluids and no electrically conductive materials.	Do not let fluids and electrically conductive material go into the drive.
Examine all cables and connections to make sure they are correct.	Make sure that all connections are correctly attached and not loose. Replace cables that are worn. Replace all broken connectors.

Cleaning



DANGER: Before you clean the XC6e, disconnect the electrical power from the drive.

Use a clean, dry, soft cloth to clean the chassis of the drive. If necessary, you can use a cloth that is moist with water or isopropyl alcohol. If you use a moist cloth, make sure that moisture does not go into the drive. Also make sure that it does not go onto the outer connectors and components.

Do not use fluids and sprays to clean the drive because they can easily go into the chassis or onto the outer connectors and components. If a cleaning solution goes into the drive, internal contamination can cause corrosion and electrical short circuits.

Do not clean the labels with a cleaning solution because it might remove the label information.

5.2. Fuse Specifications



WARNING: Replace fuses only with the same type and value.

Table 5-4: Control Board Fuse Specifications

Fuse	Description	Size	Aerotech P/N	Third Party P/N
F100	Control Power at Line Input (L)	2 A S.B.	EIF01044	Littelfuse 0877002.MXEP

This page intentionally left blank.

Appendix A: Warranty and Field Service

Aerotech, Inc. warrants its products to be free from harmful defects caused by faulty materials or poor workmanship for a minimum period of one year from date of shipment from Aerotech. Aerotech's liability is limited to replacing, repairing or issuing credit, at its option, for any products that are returned by the original purchaser during the warranty period. Aerotech makes no warranty that its products are fit for the use or purpose to which they may be put by the buyer, whether or not such use or purpose has been disclosed to Aerotech in specifications or drawings previously or subsequently provided, or whether or not Aerotech's products are specifically designed and/or manufactured for buyer's use or purpose. Aerotech's liability on any claim for loss or damage arising out of the sale, resale, or use of any of its products shall in no event exceed the selling price of the unit.

THE EXPRESS WARRANTY SET FORTH HEREIN IS IN LIEU OF AND EXCLUDES ALL OTHER WARRANTIES, EXPRESSED OR IMPLIED, BY OPERATION OF LAW OR OTHERWISE. IN NO EVENT SHALL AEROTECH BE LIABLE FOR CONSEQUENTIAL OR SPECIAL DAMAGES.

Return Products Procedure

Claims for shipment damage (evident or concealed) must be filed with the carrier by the buyer. Aerotech must be notified within thirty (30) days of shipment of incorrect material. No product may be returned, whether in warranty or out of warranty, without first obtaining approval from Aerotech. No credit will be given nor repairs made for products returned without such approval. A "Return Materials Authorization (RMA)" number must accompany any returned product(s). The RMA number may be obtained by calling an Aerotech service center or by submitting the appropriate request available on our website (www.aerotech.com). Products must be returned, prepaid, to an Aerotech service center (no C.O.D. or Collect Freight accepted). The status of any product returned later than thirty (30) days after the issuance of a return authorization number will be subject to review.

Visit [Global Technical Support Portal](#) for the location of your nearest Aerotech Service center.

Returned Product Warranty Determination

After Aerotech's examination, warranty or out-of-warranty status will be determined. If upon Aerotech's examination a warranted defect exists, then the product(s) will be repaired at no charge and shipped, prepaid, back to the buyer. If the buyer desires an expedited method of return, the product(s) will be shipped collect. Warranty repairs do not extend the original warranty period.

Fixed Fee Repairs - Products having fixed-fee pricing will require a valid purchase order or credit card particulars before any service work can begin.

All Other Repairs - After Aerotech's evaluation, the buyer shall be notified of the repair cost. At such time the buyer must issue a valid purchase order to cover the cost of the repair and freight, or authorize the product(s) to be shipped back as is, at the buyer's expense. Failure to obtain a purchase order number or approval within thirty (30) days of notification will result in the product(s) being returned as is, at the buyer's expense.

Repair work is warranted for ninety (90) days from date of shipment. Replacement components are warranted for one year from date of shipment.

Rush Service

At times, the buyer may desire to expedite a repair. Regardless of warranty or out-of-warranty status, the buyer must issue a valid purchase order to cover the added rush service cost. Rush service is subject to Aerotech's approval.

On-site Warranty Repair

If an Aerotech product cannot be made functional by telephone assistance or by sending and having the customer install replacement parts, and cannot be returned to the Aerotech service center for repair, and if Aerotech determines the problem could be warranty-related, then the following policy applies:

Aerotech will provide an on-site Field Service Representative in a reasonable amount of time, provided that the customer issues a valid purchase order to Aerotech covering all transportation and subsistence costs. For warranty field repairs, the customer will not be charged for the cost of labor and material. If service is rendered at times other than normal work periods, then special rates apply.

If during the on-site repair it is determined the problem is not warranty related, then the terms and conditions stated in the following "On-Site Non-Warranty Repair" section apply.

On-site Non-Warranty Repair

If any Aerotech product cannot be made functional by telephone assistance or purchased replacement parts, and cannot be returned to the Aerotech service center for repair, then the following field service policy applies:

Aerotech will provide an on-site Field Service Representative in a reasonable amount of time, provided that the customer issues a valid purchase order to Aerotech covering all transportation and subsistence costs and the prevailing labor cost, including travel time, necessary to complete the repair.

Service Locations

<http://www.aerotech.com/contact-sales.aspx?mapState=showMap>

USA, CANADA, MEXICO

Aerotech, Inc.
Global Headquarters

CHINA

Aerotech China
Full-Service Subsidiary

GERMANY

Aerotech Germany
Full-Service Subsidiary

TAIWAN

Aerotech Taiwan
Full-Service Subsidiary

UNITED KINGDOM

Aerotech United Kingdom
Full-Service Subsidiary

Appendix B: Revision History

Revision	Description
1.01	The following sections have been updated: <ul style="list-style-type: none">• EU Declaration of Conformity• Agency Approvals
1.00	New manual

This page intentionally left blank.

Index

-		
-EB1		
Analog Inputs	88	
Analog Outputs	87	
Digital Inputs	84	
Digital Outputs	80	
I/O Option Board	79	
Position Synchronized Output (PSO) Interface	89	
-MX2	39	
-MX3	39,59	
2		
2006/42/EC	9	
2011/65/EU	9	
2014/30/EU	9	
2014/35/EU	9	
A		
Absolute Encoder (Auxiliary I/O Connector)	58	
Absolute Encoder (Feedback Connector)	38	
Absolute Encoder Schematic (Auxiliary I/O Connector)	58	
Absolute Encoder Schematic (Feedback Connector)	38	
AC line filter	29	
Altitude	24	
Ambient Temperature	24	
Analog Encoder (Auxiliary I/O Connector)	59	
Analog Encoder (Feedback Connector)	39	
Analog Encoder Phasing Reference Diagram	39,59	
Analog Encoder Schematic (Auxiliary I/O Connector)	60	
Analog Encoder Schematic (Feedback Connector)	40	
Analog Encoder Specifications (Auxiliary I/O Connector)	59	
Analog Encoder Specifications (Feedback Connector)	39	
Analog Input 0 on the Aux I/O Connector	69	
Analog Input 0 Schematic (Aux I/O Connector)	69	
Analog Input 0 Specifications (Aux I/O Connector)	69	
Analog Input Connector [-EB1] Mating Connector Part Numbers	88	
Analog Input Connector Pinout [-EB1]	88	
Analog Input Pins (Aux I/O Connector)	69	
Analog Input Typical Connection [-EB1]	88	
Analog Inputs [-EB1]	88	
Analog Output 0 on the Aux I/O Connector	68	
Analog Output 0 Schematic (Aux I/O Connector)	68	
Analog Output 0 Specifications (Aux I/O Connector)	68	
Analog Output Connector [-EB1] Mating Connector Part Numbers	87	
Analog Output Connector Pinout [-EB1]	87	
Analog Output Pins (Aux I/O Connector)	68	
Analog Output Specifications [-EB1]	87	
Analog Output Typical Connection [-EB1]	87	
Analog Outputs [-EB1]	87	
Aux I/O Connector		
Analog Input 0	69	
Analog Output 0	68	
Auxiliary Encoder Inputs	56	
Digital Inputs	66	
Digital Outputs	63	
High-Speed User Inputs	67	
Position Synchronized Output	61	
PSO	61	
Aux I/O Connector Mating Connector Part Numbers	55	
Auxiliary Encoder Inputs (Aux I/O Connector)	56	
Auxiliary I/O Connector	55	
Analog Encoder	59	
Sine Wave Encoder	59	
Auxiliary I/O Connector Pinout	55	
Auxiliary I/O Pins (Aux I/O Connector)	56	
B		
BiSS absolute encoder	38,58	
Brake Connected to the Feedback Connector	48	
Brake Control Relay Specifications	48	
Brake Output Connector Pinout	70	
Brake Output Pins on the Feedback Connector	48	
Brake Outputs (Feedback Connector)	48	
Brake Power Supply Connector	70	
Brake Power Supply Connector Mating Connector Part Numbers	70	
Brushless Motor Configuration (Motor Power Output Connector)	32	
Brushless Motor Connections (Motor Power Output Connector)	32	
Brushless Motor Phasing Goal	34	
Brushless Motor Phasing Oscilloscope Example	34	
Brushless Motor Powered Motor Phasing	33	

Brushless Motor Unpowered Motor and Feedback Phasing	34	Digital Inputs Connected to a Current Sinking Device [-EB1]	86
Bus Link Connector		Digital Inputs Connected to a Current Sourcing Device [-EB1]	86
Mating Connector Part Numbers	72	Digital Inputs Connected to Current Sinking Devices (Aux I/O Connector)	66
Pinout	72	Digital Inputs Connected to Current Sourcing Devices (Aux I/O Connector)	66
C			
Cable Wires		Digital Inputs Schematic [-EB1]	85
Brushless Motors	32	Digital Output 1 Connector [-EB1] Mating Connector Part Numbers	81
Cables		Digital Output 1 Connector Pinout [-EB1]	81
HyperWire	71	Digital Output 2 Connector [-EB1] Mating Connector Part Numbers	81
Sync Port	75	Digital Output 2 Connector Pinout [-EB1]	81
Cables and Accessories	91	Digital Output Pins (Aux I/O Connector)	63
cables, examining	96	Digital Output Schematic (Aux I/O Connector)	64
Check for fluids or electrically conductive material exposure	96	Digital Output Specifications (Aux I/O Connector)	63
Cleaning	96	Digital Output Specifications [-EB1]	80
Commands		Digital Outputs (Aux I/O Connector)	63
Sync	75	Digital Outputs [-EB1]	80
Conducted and Radiated Emissions	9	Digital Outputs Connected in Current Sinking Mode (Aux I/O Connector)	65
connections, examining	96	Digital Outputs Connected in Current Sinking Mode [-EB1]	83
Continuous Output Current specifications	18-19	Digital Outputs Connected in Current Sourcing Mode (Aux I/O Connector)	65
Control Board Fuse Specifications	97	Digital Outputs Connected in Current Sourcing Mode [-EB1]	83
Control Supply Connections	28	Digital Outputs Schematic [-EB1]	82
Control Supply Connector	28	Dimensions	22
Mating Connector Part Numbers	28	Dimensions (without -EB1)	22
Wiring Specifications	28	Dimensions with -EB1	23
Control Supply specifications	18-19	Drawing number	27
cooling vents, inspecting	96	Drive and Software Compatibility	25
Customer order number	27		
D			
Declaration of Conformity	9	E	
Differential Analog Input Specifications [-EB1]	88	Electrical Safety for Power Drive Systems	9
Digital Input 1 Connector [-EB1] Mating Connector Part Numbers	84	Electrical Specifications	18
Digital Input 1 Connector Pinout [-EB1]	84	Electromagnetic Compatibility (EMC)	9
Digital Input 2 Connector [-EB1] Mating Connector Part Numbers	85	EMC/CE Compliance	30
Digital Input 2 Connector Pinout [-EB1]	85	Enclosure	21
Digital Input Pins on the Aux I/O Connector	66	encoder	
Digital Input Specifications (Aux I/O Connector)	66	absolute	38,58
Digital Input Specifications [-EB1]	84	Encoder and Hall Signal Diagnostics	33
Digital Inputs (Aux I/O Connector)	66	Encoder Fault Input (Feedback Connector)	44
Digital Inputs [-EB1]	84	Encoder Fault Input Pin on the Feedback Connector	44

Encoder Input (Feedback Connector)	36	Figure	
Encoder Input Pins on the Feedback Connector	36	-EB1 I/O Option Board Connectors	79
Encoder Phasing	41	Absolute Encoder Schematic (Auxiliary I/O Connector)	58
Encoder Phasing Reference Diagram	41	Absolute Encoder Schematic (Feedback Connector)	38
End of Travel Limit Input (Feedback Connector)	45	Analog Encoder Schematic (Auxiliary I/O Connector)	60
End of Travel Limit Input Connections	46	Analog Encoder Schematic (Feedback Connector)	40
End of Travel Limit Input Diagnostic Display	47	Analog Input 0 Schematic (Aux I/O Connector)	69
End of Travel Limit Input Pins on the Feedback Connector	45	Analog Input Typical Connection [-EB1]	88
End of Travel Limit Input Schematic	46	Analog Output 0 Schematic (Aux I/O Connector)	68
End of Travel Limit Phasing	47	Analog Output Typical Connection [-EB1]	87
EnDat absolute encoder	38,58	Brake Connected to the Feedback Connector	48
Environmental Specifications	24	Brushless Motor Configuration (Motor Power Output Connector)	32
EU 2015/863	9	Control Supply Connections	28
examining parts		Digital Inputs Connected to a Current Sinking Device [-EB1]	86
cables	96	Digital Inputs Connected to a Current Sourcing Device [-EB1]	86
connections	96	Digital Inputs Connected to Current Sinking Devices (Aux I/O Connector)	66
examining, dangerous fluids	96	Digital Inputs Connected to Current Sourcing Devices (Aux I/O Connector)	66
examining, dangerous material	96	Digital Inputs Schematic [-EB1]	85
Extenral Shunt Connector		Digital Output Schematic (Aux I/O Connector)	64
Pinout	72	Digital Outputs Connected in Current Sinking Mode (Aux I/O Connector)	65
External Shunt Connections	72	Digital Outputs Connected in Current Sourcing Mode (Aux I/O Connector)	65
External Shunt Connector		Digital Outputs Schematic [-EB1]	82
Mating Connector Part Numbers	72	Dimensions (without -EB1)	22
		Dimensions with -EB1	23
F		End of Travel Limit Input Connections	46
Feature Summary	16	End of Travel Limit Input Diagnostic Display	47
Feedback Connector	35	End of Travel Limit Input Schematic	46
Absolute Encoder	38,58	Hall-Effect Inputs Schematic	42
Analog Encoder	39	High-Speed Inputs	67
Brake Outputs	48	Home Limit Input Connections	46
Encoder Fault Input	44	Home Limit Input Diagnostic Display	47
Encoder Input	36	Home Limit Input Schematic	46
End of Travel Limit Input	45	Isolated Output Current Sinks Schematic (PSO)	90
Hall-Effect Inputs	42	Isolated Output Current Sources Schematic (PSO)	90
Home Limit Input	45	Motor Supply Connections	29
Pinout	35	Outputs Connected in Current Sinking Mode [-IO]	83
Primary Encoder Input	36	Outputs Connected in Current Sourcing Mode [-EB1]	83
RS-422 Line Driver Encoder	37,57	Positive Motor Direction	33
Sine Wave Encoder	39	PSO Interface (Aux I/O Connector)	62
Square Wave Encoder	37,57		
Thermistor Input	43		
Travel Limit Input	45		
Feedback Monitoring	33		

PSO Isolated Output Sinks Current	90	Input Power Connections	28
PSO Isolated Output Sources Current	90	inspecting cooling vents	96
PSO TTL Outputs Schematic	90	Inspection	96
Sine Wave Encoder Schematic (Auxiliary I/O Connector)	60	Installation and Configuration	27
Sine Wave Encoder Schematic (Feedback Connector)	40	Installation Connection Overview	13
Square Wave Encoder Inputs Schematic (Aux I/O Connector)	57	Installation Overview	13
Square Wave Encoder Schematic (Feedback Connector)	37	Internal Shunt Connections	72
STO Timing	54	Internal Shunt Connector	
Thermistor Input Schematic	43	Mating Connector Part Numbers	72
TTL Outputs Schematic (PSO)	90	Pinout	72
Typical STO Configuration	50	Internal Shunt Specifications	72
fluids, dangerous	96	Introduction	15
Functional Diagram	17	IP54 Compliant	21
Fuse Specifications	97	Isolated Output Current Sinks Schematic (PSO)	90
Control Supply at L	97	Isolated Output Current Sources Schematic (PSO)	90
External Shunt (-SX1)	97	Isolation	18-19
Motor Supply at AC1	97		
		J	
		Joystick Interface	92
H			
Hall-Effect Feedback Pins on the Feedback Connector	42	L	
Hall-Effect Inputs (Feedback Connector)	42	Laser Firing	61
Hall-Effect Inputs Schematic	42		
Handwheel Interconnection (to Aux I/O through a BBA32 Module)	94	M	
Handwheel Interconnection to the Aux I/O Connector	94	Maintenance	95
Handwheel Interface	94	material, electrically conductive	96
High-Speed Input Pins on the Aux I/O Connector	67	Mating Connector	
High-Speed Input Specifications	67	Analog Output Connector [-EB1]	87
High-Speed Inputs	67	Mating Connector P/N	
High-Speed User Inputs (Aux I/O Connector)	67	Analog Input Connector [-EB1]	88
Home Limit Input (Feedback Connector)	45	Aux I/O Connector	55
Home Limit Input Connections	46	Brake Power Supply Connector	70
Home Limit Input Diagnostic Display	47	Bus Link Connector	72
Home Limit Input Pins on the Feedback Connector	45	Control Supply Connector	28
Home Limit Input Schematic	46	Digital Input 1 Connector [-EB1]	84
Humidity	24	Digital Input 2 Connector [-EB1]	85
HyperWire	71	Digital Output 1 Connector [-EB1]	81
Cable Part Numbers	71	Digital Output 2 Connector [-EB1]	81
Card Part Number	71	External Shunt Connector	72
		Feedback Connector	35
		Internal Shunt Connector	72
I		Motor Power Output Connector	31
I/O Option Board [-EB1]	79	Motor Supply Connector	29

PSO Connector [-EB1]	89	Brake Output Connector	70
Shunt Connector	72	Brake Output Pins (Feedback Connector)	48
STO Connector	49	Bus Link Connector	72
Mechanical Specifications	21	Digital Input 1 Connector [-EB1]	84
Minimizing Conducted, Radiated, and System Noise for EMC/CE Compliance	30	Digital Input 2 Connector [-EB1]	85
Modes of Operation	18-19	Digital Input Pins (Aux I/O Connector)	66
Motor Connector		Digital Output 1 Connector [-EB1]	81
Mating Connector Part Numbers	35	Digital Output Pins (Aux I/O Connector)	63
Motor Function Relative to STO Input State	53	Encoder Fault Input Pin (Feedback Connector)	44
Motor Power Output Connector	31	Encoder Input (Feedback Connector)	36
Brushless Motor Connections	32	End of Travel Limit Input Pins (Feedback Connector)	45
Mating Connector Part Numbers	31	External Shunt Connector	72
Pinout	31	Feedback Connector	35
Motor Supply Connections	29	Hall-Effect Feedback Pins (Feedback Connector)	42
Motor Supply Connector	29	High-Speed Input Pins (Aux I/O Connector)	67
Mating Connector Part Numbers	29	Home Limit Input Pins (Feedback Connector)	45
Wiring Specifications	29	Internal Shunt Connector	72
Motor Supply Connector Fuse Specifications	29	Motor Power Output Connector	31
Motor Supply specifications	18-19	Primary Encoder Inputs (Feedback Connector)	36
Mounting and Cooling	21	PSO Interface Connector [-EB1]	89
Mounting Hardware	21	PSO Pins (Aux I/O Connector)	61
Mounting Orientation	21	Shunt Connector	72
		STO Connector	49
		Thermistor Input Pin (Feedback Connector)	43
		Pollution	24
O		Position Feedback in the Diagnostic Display	41
Operation	24	Position Synchronized Output (Aux I/O Connector)	61
Output Voltage specifications	18-19	Position Synchronized Output (PSO) Interface [-EB1]	89
Overview	15	Positive Motor Direction	33
		Power Amplifier Bandwidth specifications	18-19
P		Power Requirements	20
packing list	27	Preventative Maintenance	96
PC Configuration and Operation Information	77	Primary Encoder Input (Feedback Connector)	36
Peak Output Current specifications	18-19	Primary Encoder Input Pins on the Feedback Connector	36
Phasing		Protective Features	18-19
End of Travel Limits	47	PSO	
Powered Brushless Motor	33	Isolated Output Sinks Current Schematic	90
Unpowered Brushless Motor/Feedback	34	Isolated Output Sources Current Schematic	90
Pinout		TTL Outputs Schematic	90
Analog Input Connector [-EB1]	88	PSO (Aux I/O Connector)	61
Analog Input Pins (Aux I/O Connector)	69	PSO Connector [-EB1] Mating Connector Part Numbers	89
Analog Output Connector [-EB1]	87	PSO Interface (Aux I/O Connector)	62
Analog Output Pins (Aux I/O Connector)	68	PSO Interface Connector Pinout [-EB1]	89
Auxiliary I/O Connector	55	PSO Output Sources	61
Auxiliary I/O Pins (Aux I/O Connector)	56		

PSO Pins (Aux I/O Connector)	61	Motor Supply Connector Wiring	29
PSO Specifications (Aux I/O Connector)	61	PSO (Aux I/O Connector)	61
PSO Specifications [-EB1]	89	PSO [-EB1]	89
		RS-422 Encoder (Feedback Connector)	37,57
R		Sine Wave Encoder (Auxiliary I/O Connector)	59
Resolute absolute encoder	38,58	Sine Wave Encoder (Feedback Connector)	39
Revision History	101	Square Wave Encoder (Feedback Connector)	37,57
RS-422 Encoder Specifications (Feedback Connector)	37,57	STO Electrical Specifications	50
RS-422 Line Driver Encoder	37,57	Unit Weight	21
		Square Wave Encoder	37,57
S		Square Wave Encoder Inputs Schematic (Aux I/O Connector)	57
Safe Torque Off Input (STO)	49	Square Wave Encoder Schematic (Feedback Connector)	37
Safety Procedures and Warnings	11	Square Wave Encoder Specifications (Feedback Connector)	37,57
serial data stream	38,58	Standard Features	16
serial number	27	STO	49
Shunt Connection Information	72	Connector Pinout	49
Shunt Connector		Diagnostics	54
Mating Connector Part Numbers	72	Electrical Specifications	50
Pinout	72	External Delay Timer	52
Shunt Options	72	Functional Description	52
Sine Wave Encoder (Feedback Connector)	39,59	Mating Connector Part Numbers	49
Sine Wave Encoder Phasing Reference Diagram	39,59	Motor Function Relative to the STO Input State	53
Sine Wave Encoder Schematic (Auxiliary I/O Connector)	60	Signal Delay	53
Sine Wave Encoder Schematic (Feedback Connector)	40	Standards	51
Sine Wave Encoder Specifications (Auxiliary I/O Connector)	59	Standards Data	51
Sine Wave Encoder Specifications (Feedback Connector)	39	Startup Validation Testing	53
Specifications		Timing	54
Analog Encoder (Auxiliary I/O Connector)	59	Typical Configuration	50
Analog Encoder (Feedback Connector)	39	Sync-Related Commands	75
Analog Input 0 (Aux I/O Connector)	69	Sync Port Cables	75
Analog Output 0 (Aux I/O Connector)	68	Sync Ports	75
Analog Outputs [-EB1]	87	System part number	27
Brake Control Relay	48	System Power Requirements	20
Control Board Fuses	97		
Control Supply Connector Wiring	28	T	
Differential Analog Inputs [-EB1]	88	Table of Contents	3
Digital Inputs (Aux I/O Connector)	66	Thermistor Input (Feedback Connector)	43
Digital Inputs [-EB1]	84	Thermistor Input Pin on the Feedback Connector	43
Digital Outputs (Aux I/O Connector)	63	Thermistor Input Schematic	43
Digital Outputs [-EB1]	80	Travel Limit Input (Feedback Connector)	45
High-Speed Inputs	67	TTL Outputs Schematic (PSO)	90
Internal Shunt	72	Two Axis Joystick Interface	92
Motor Supply Connector Fuse	29	Two Axis Joystick Interface (to the I/O board of two drives)	93

Typical STO Configuration 50

U

Unit Weight 21

Unpacking the Chassis 27

Use 24

W

Warranty and Field Service 99

Wire Colors for Aerotech-Supplied Brushless Motor
Cables 32

This page intentionally left blank.